

# ASTRO

## Product Data Sheet

### 1. PRODUCT NAME

Handrailing system bearing the name ASTRO

### 2. MANUFACTURER

Livers Bronze Co. exclusively manufactures the handrail system as described on this sheet.

Livers Bronze Co.  
4621 East 75th Terrace  
Kansas City, MO 64132

Phone: (816) 300 2828

Fax: (816) 300 0864

e-mail: [livers@liversbronze.com](mailto:livers@liversbronze.com)

3. BASIC USE: Livers Bronze Co. ASTRO system is a pre-engineered component based railing system, shipped to the jobsite ready to install.

LIMITATIONS: ASTRO railing system is only limited by the materials from which it is fabricated.

Pre-engineered railing should be assembled using the components listed:

42" high guardrail post for glass infill applications. Shall be powder coated cold rolled steel spaced at 5' - 0" O.C. maximum.

42" high guardrail post for glass infill w/ 34" high side mounted handrail. Shall be powder coated cold rolled steel spaced at 5' - 0" O.C. maximum.

Handrail may be powder coated steel or aluminum, 304 stainless steel or alloy 230 Red Brass.

1/2" clear tempered glass furnished by Livers Bronze Co. for attaching to post.

Finishes: A wide selection of colors and textures in powder coat is available. Colors are selected from manufacturers standard color charts. Standard circular grain satin and polished finishes are available for stainless steel and bronze railing. Anodized finishes are not available.

### 4. TECHNICAL DATA

The ASTRO railing system conforms to IBC and ADA regulations for openings and stress.

Livers Bronze Co. ASTRO railing system must be attached with fasteners and to surfaces that are approved or selected by the manufacturer and shall be detailed on all shop drawings.

### 6. AVAILABILITY AND COST

Cost: Varies according to quantity and material. Further information may be obtained from Livers Bronze Co. or one of their authorized representatives.

Availability: ASTRO railing system is subject to current delivery schedules. Each project must be reviewed before scheduling is available.

### 7. GUARANTEE

Livers Bronze warrants that its ASTRO railing system is of sound quality, conforming to standards as stated in part 4 hereof and is reasonably free of defects in material and workmanship. Inasmuch as Livers Bronze has no control over the installation of its products, no other warranty is expressed or implied. Livers Bronze Co. does not warranty against glass breakage.

### 8. MAINTENANCE

The surface of Livers Bronze Co. material can be kept clean by the use of ordinary soaps and mild cleansers. Abrasive cleaners should not be used.

### 9. TECHNICAL SERVICES

Technical services are rendered direct from the Livers Bronze Company in Kansas City, Missouri.

### 10. FILING SYSTEM

Sweet's Architectural file.

Sweets.com

Literature available on request.

AutoCAD details & specifications are available at: [www.liversbronze.com](http://www.liversbronze.com)

4621 East 75th Terrace  
Kansas City, MO 64132

© 2008 Livers Bronze Co.

Phone: (816) 300 2828

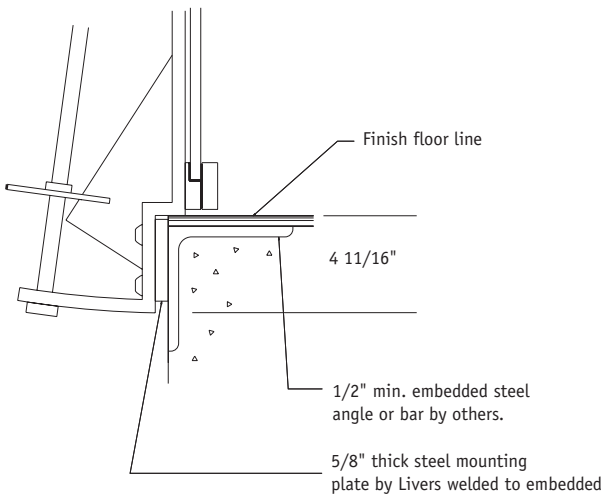
Fax: (816) 300 0864

e-mail: [livers@liversbronze.com](mailto:livers@liversbronze.com)

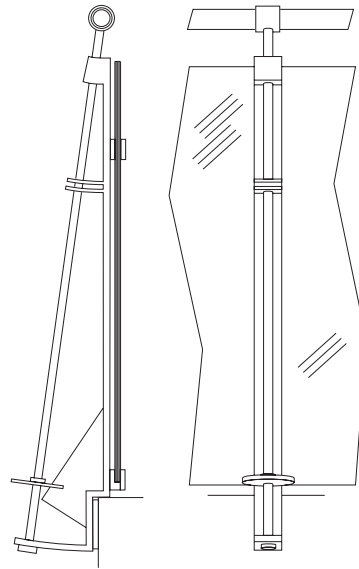


RAILING SYSTEMS

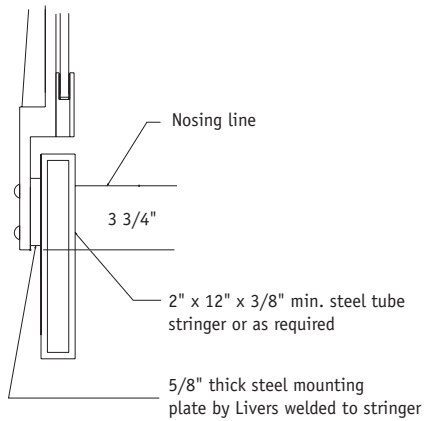
Innovative by Design



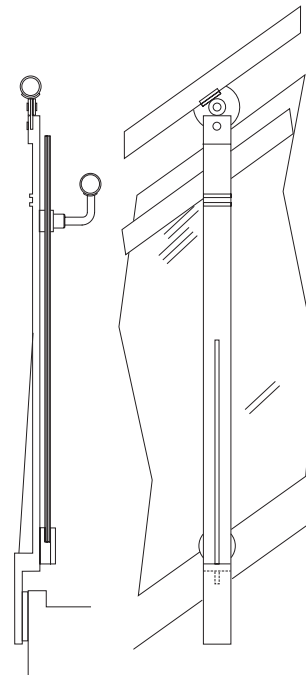
Level post  
side mounting



Astro guardrail post  
42" H



Stair post  
side mounting



Astro stair rail post  
42" H

Innovative by Design

AutoCAD details & specifications are available at: [www.liversbronze.com](http://www.liversbronze.com)

4621 East 75th Terrace  
Kansas City, MO 64132

Phone: (816) 300 2828  
Fax: (816) 300 0864  
e-mail: [livers@liversbronze.com](mailto:livers@liversbronze.com)

© 2008 Livers Bronze Co.



RAILING SYSTEMS