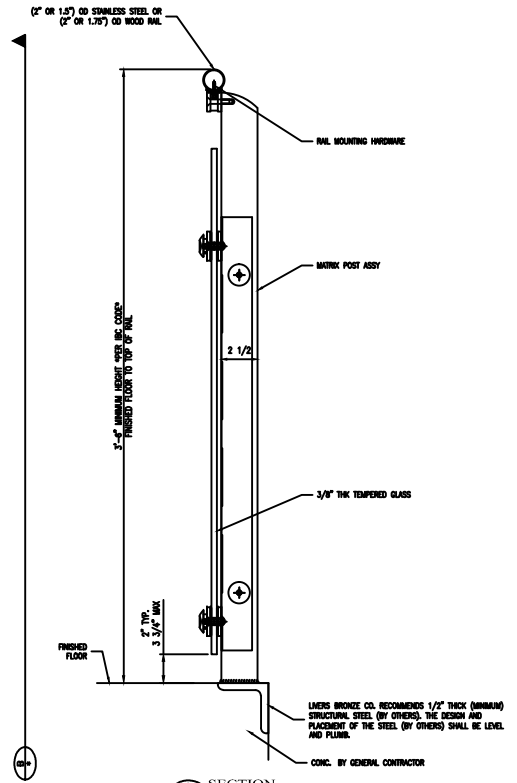
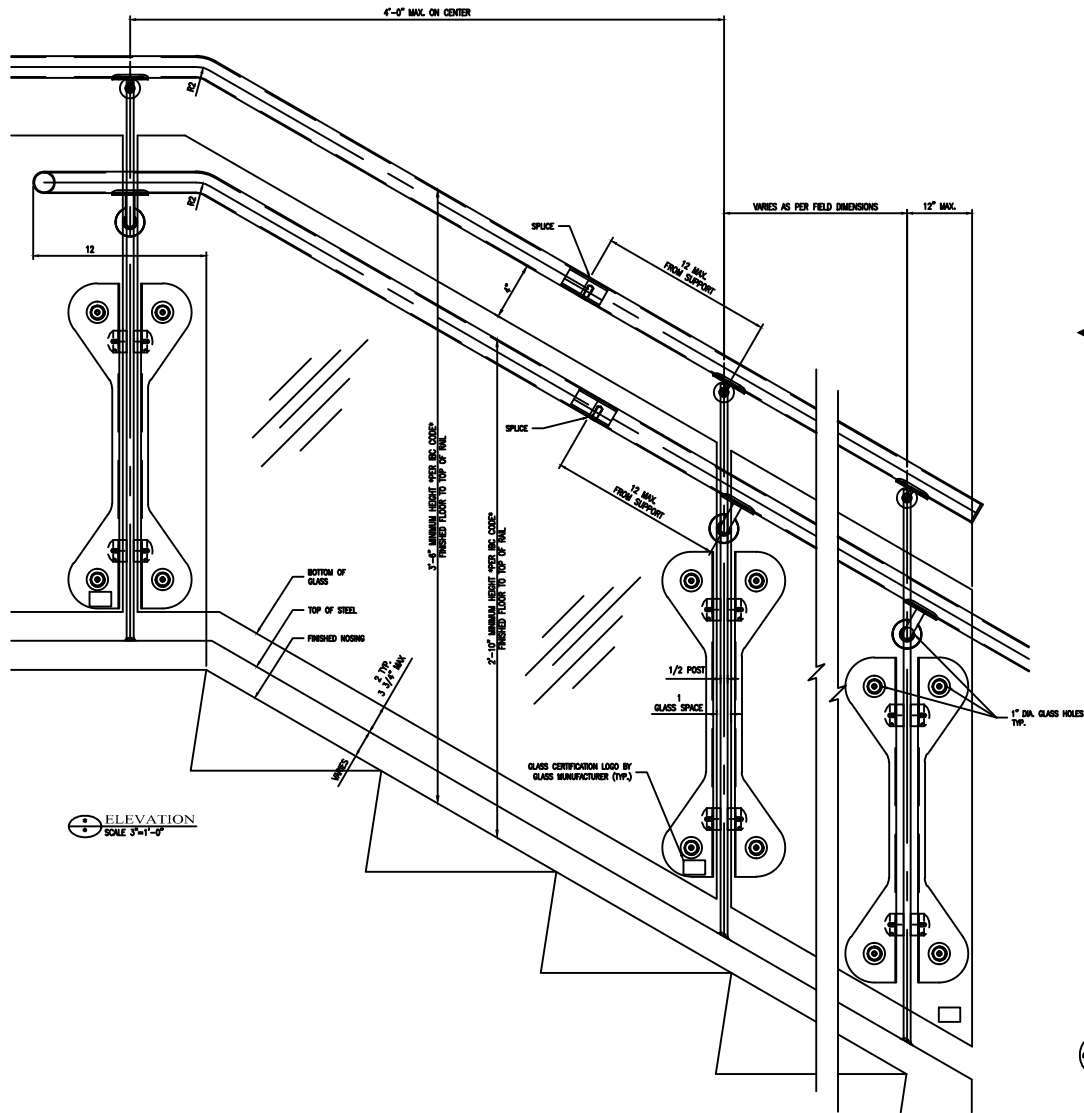
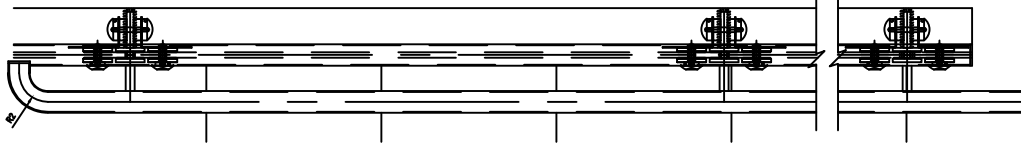


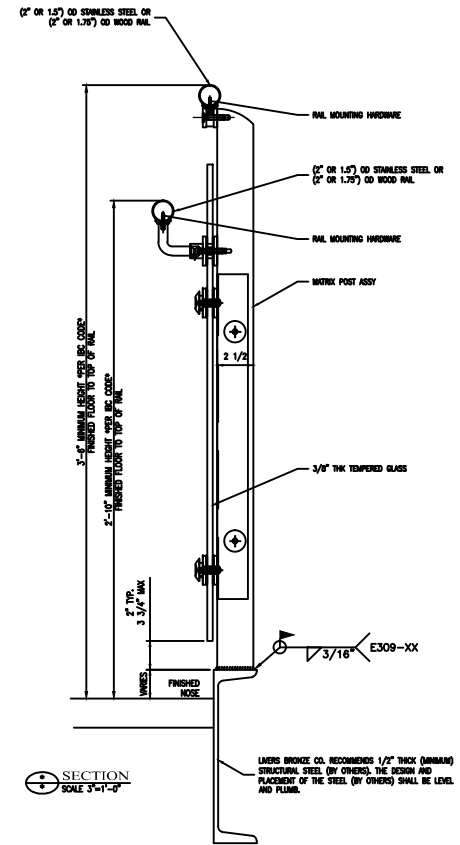
ELEVATION
SCALE 3/8"=1'-0"



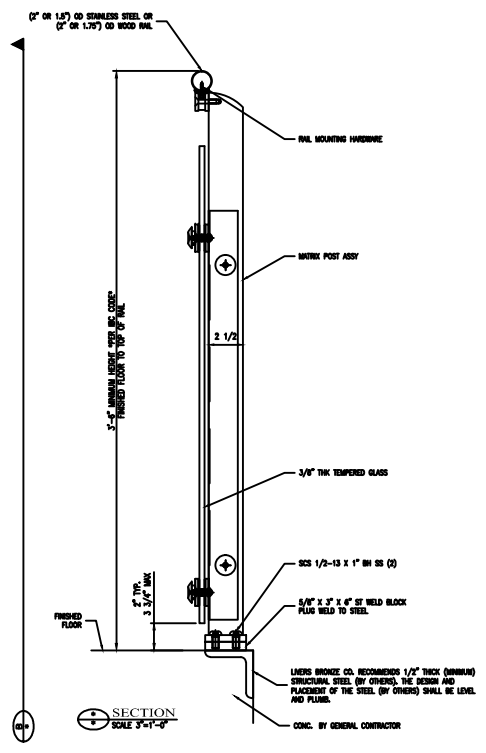
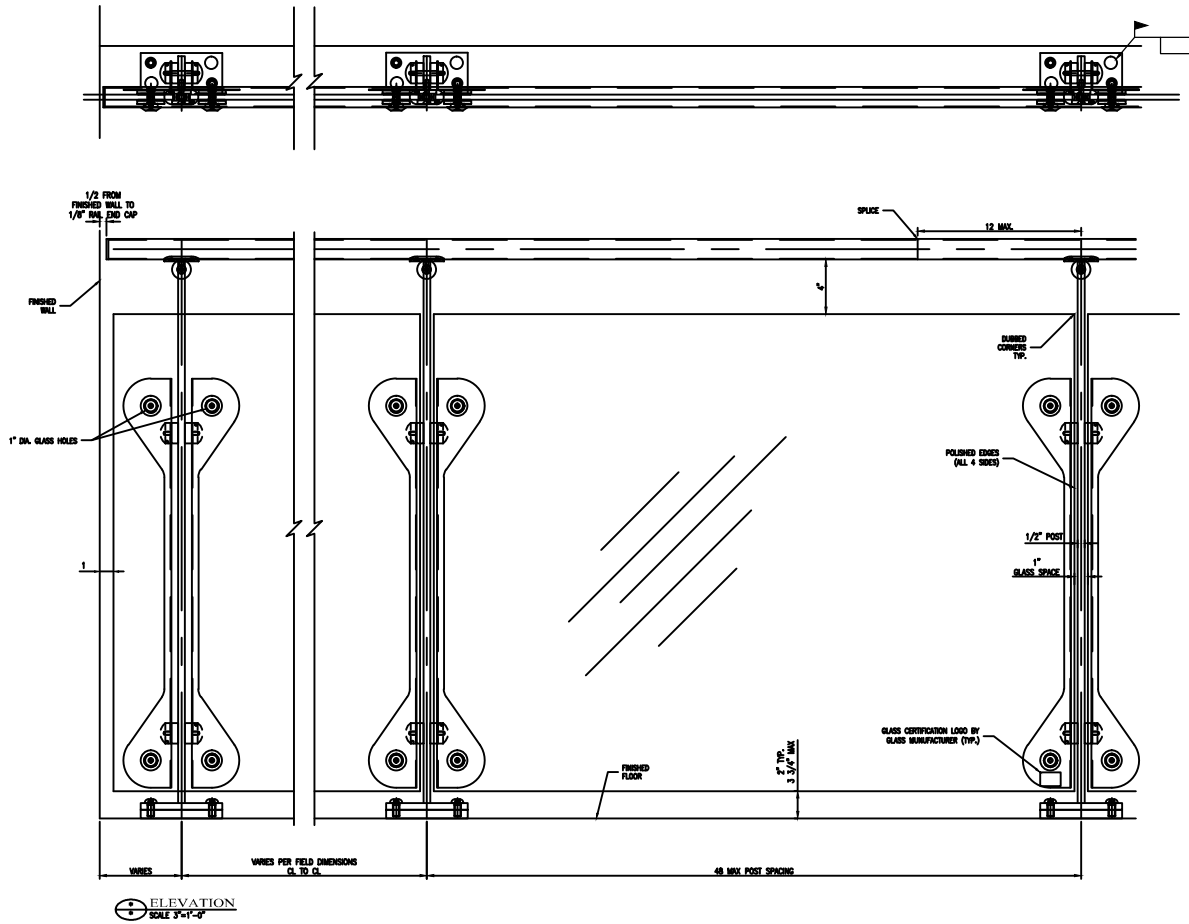
SECTION
SCALE 3/8"=1'-0"

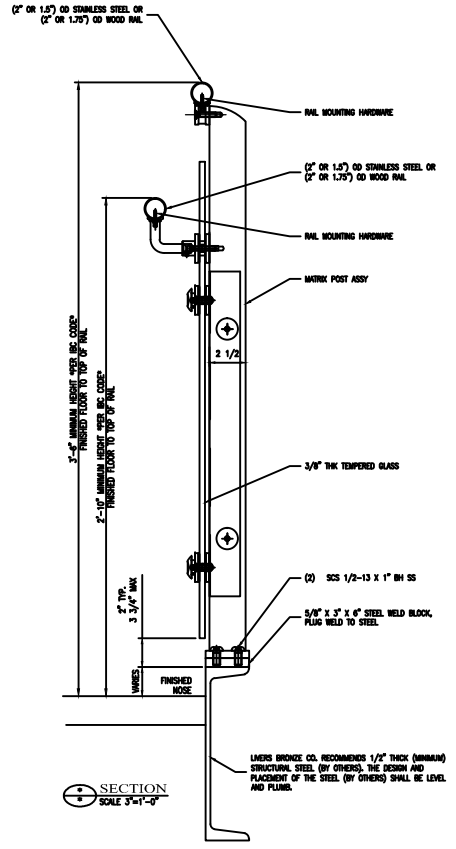
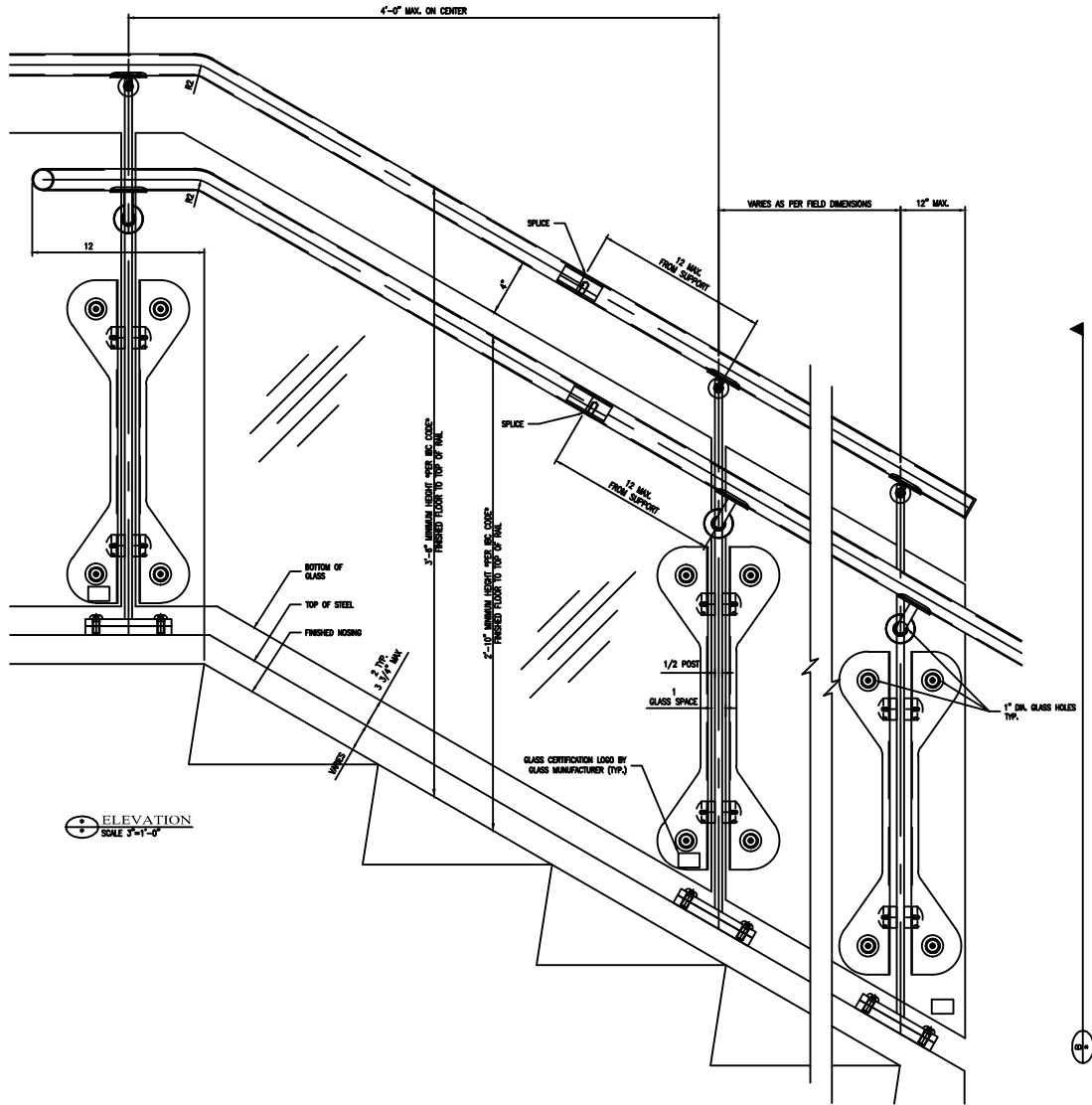
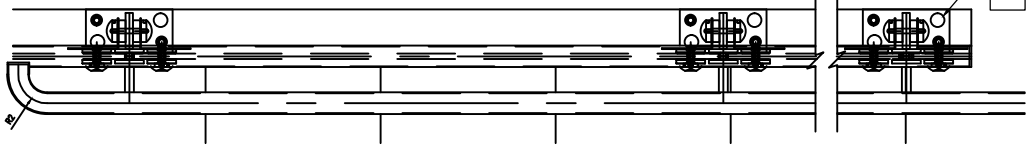


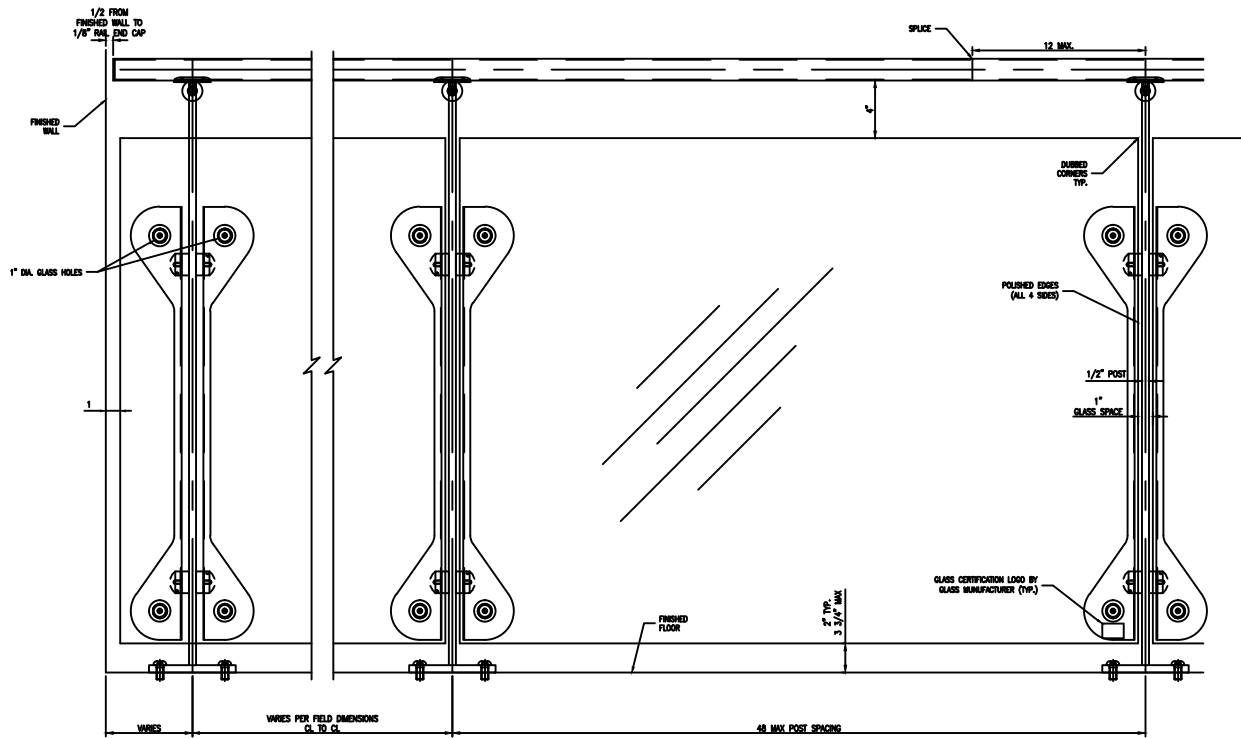
ELEVATION
SCALE 3/4"=1'-0"



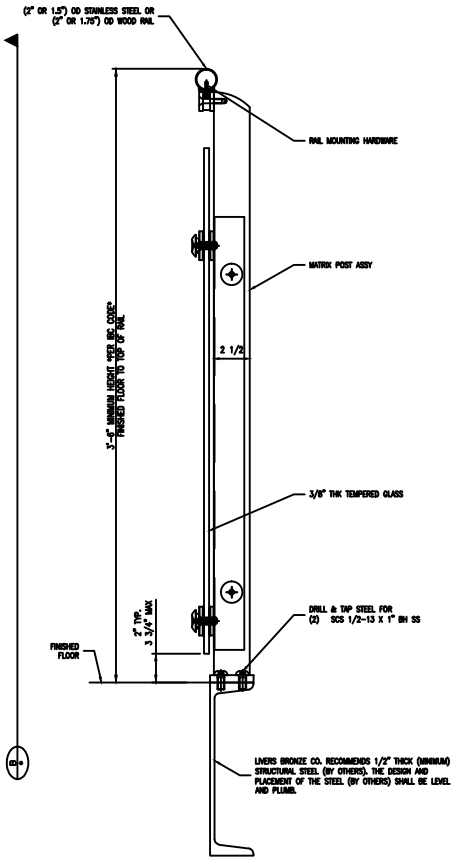
SECTION
SCALE 3/4"=1'-0"



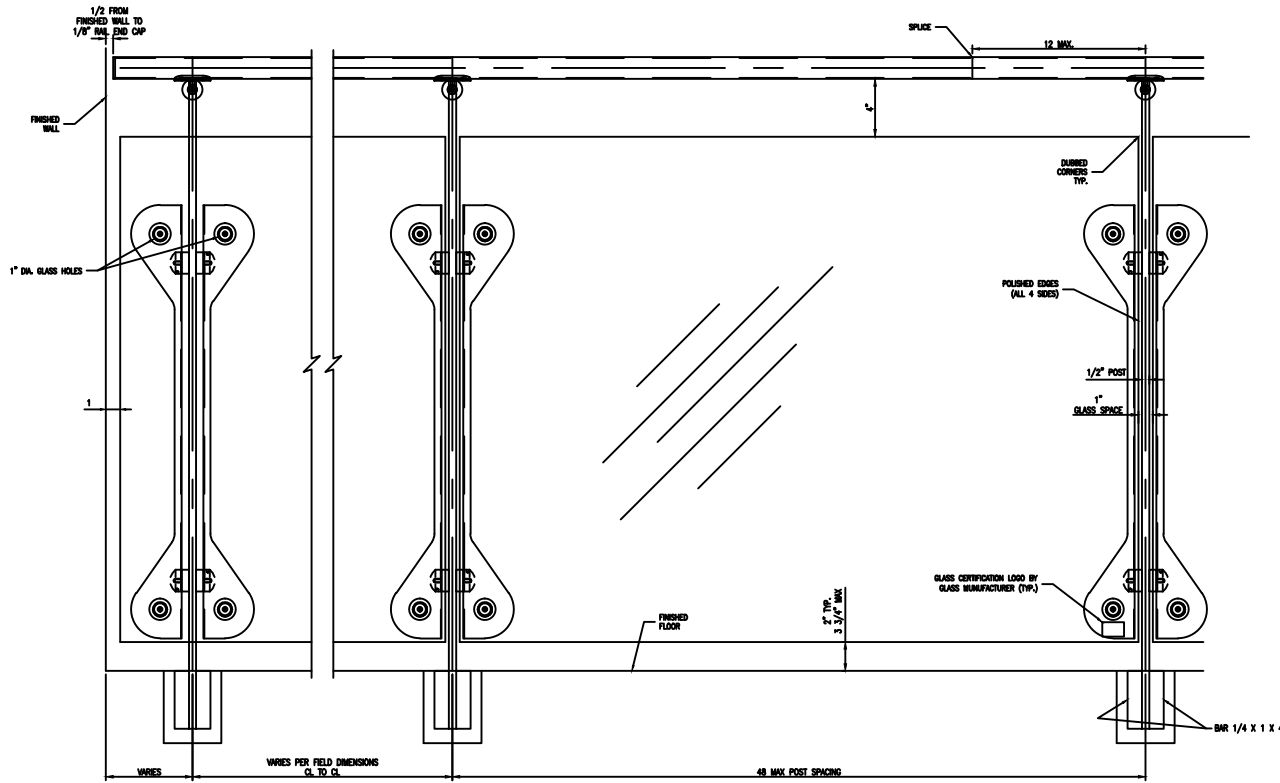
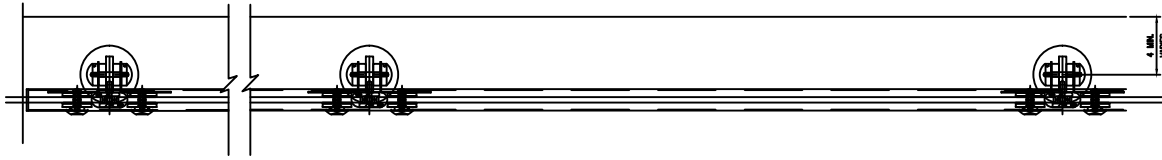




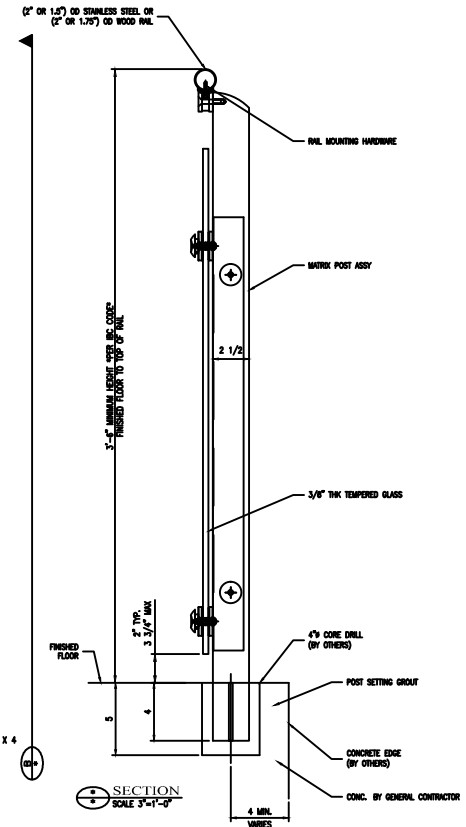
ELEVATION
SCALE 3/4"=1'-0"



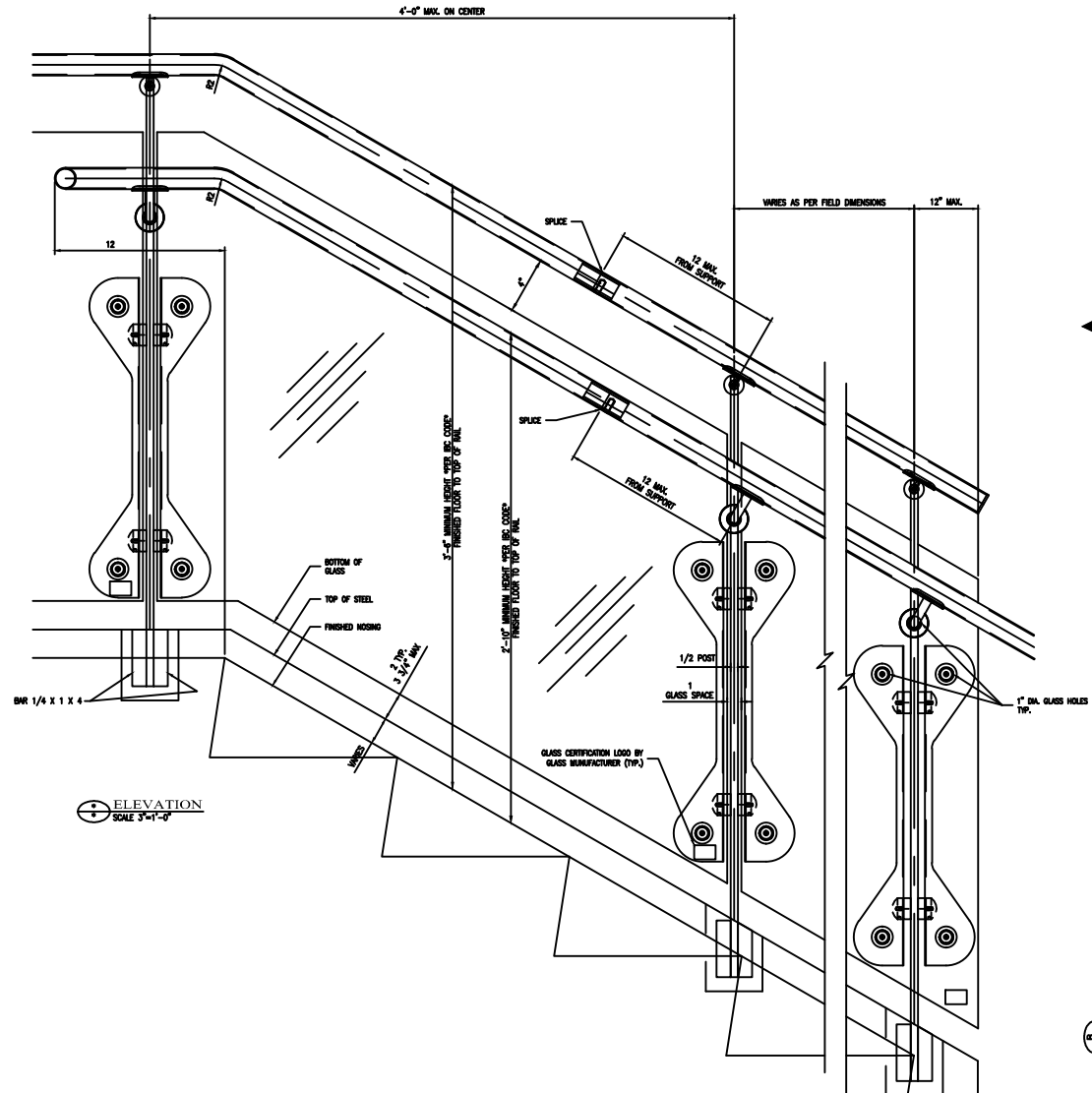
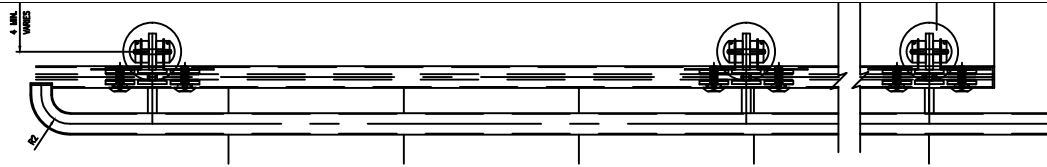
SECTION
SCALE 3/4"=1'-0"



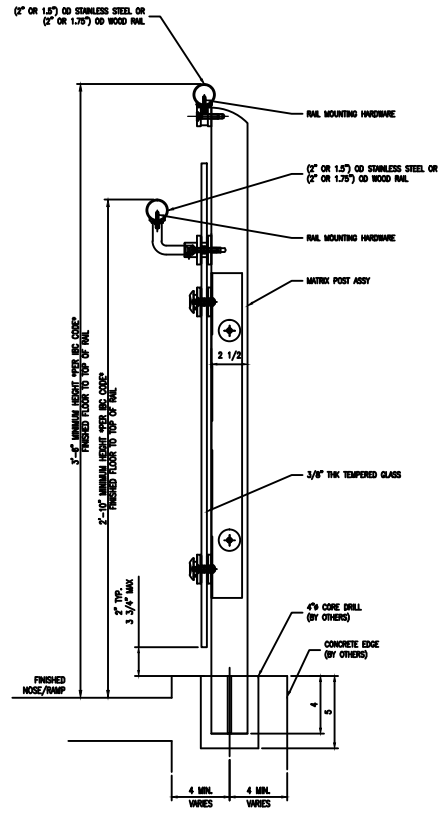
ELEVATION
SCALE 3/4"=1'-0"



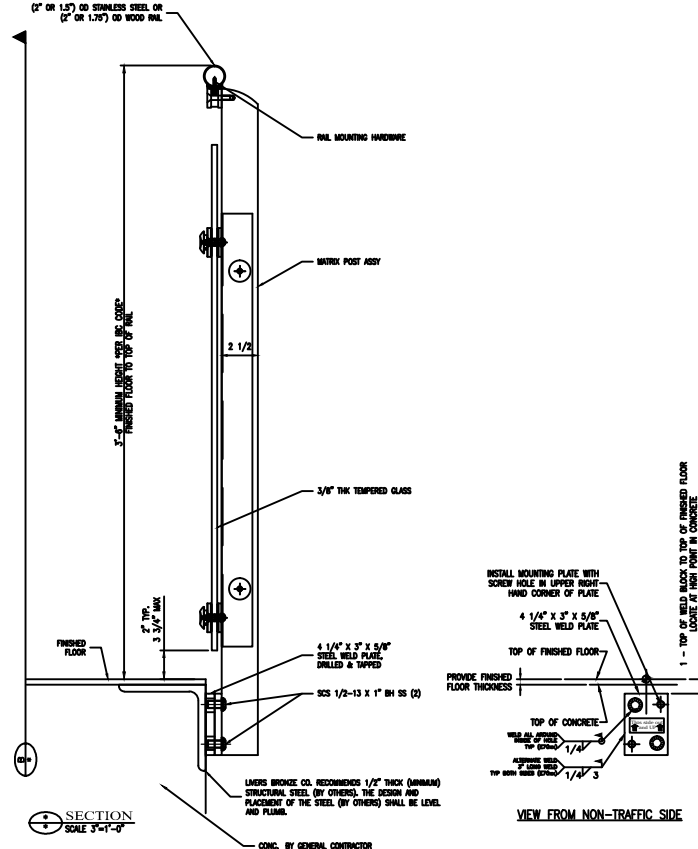
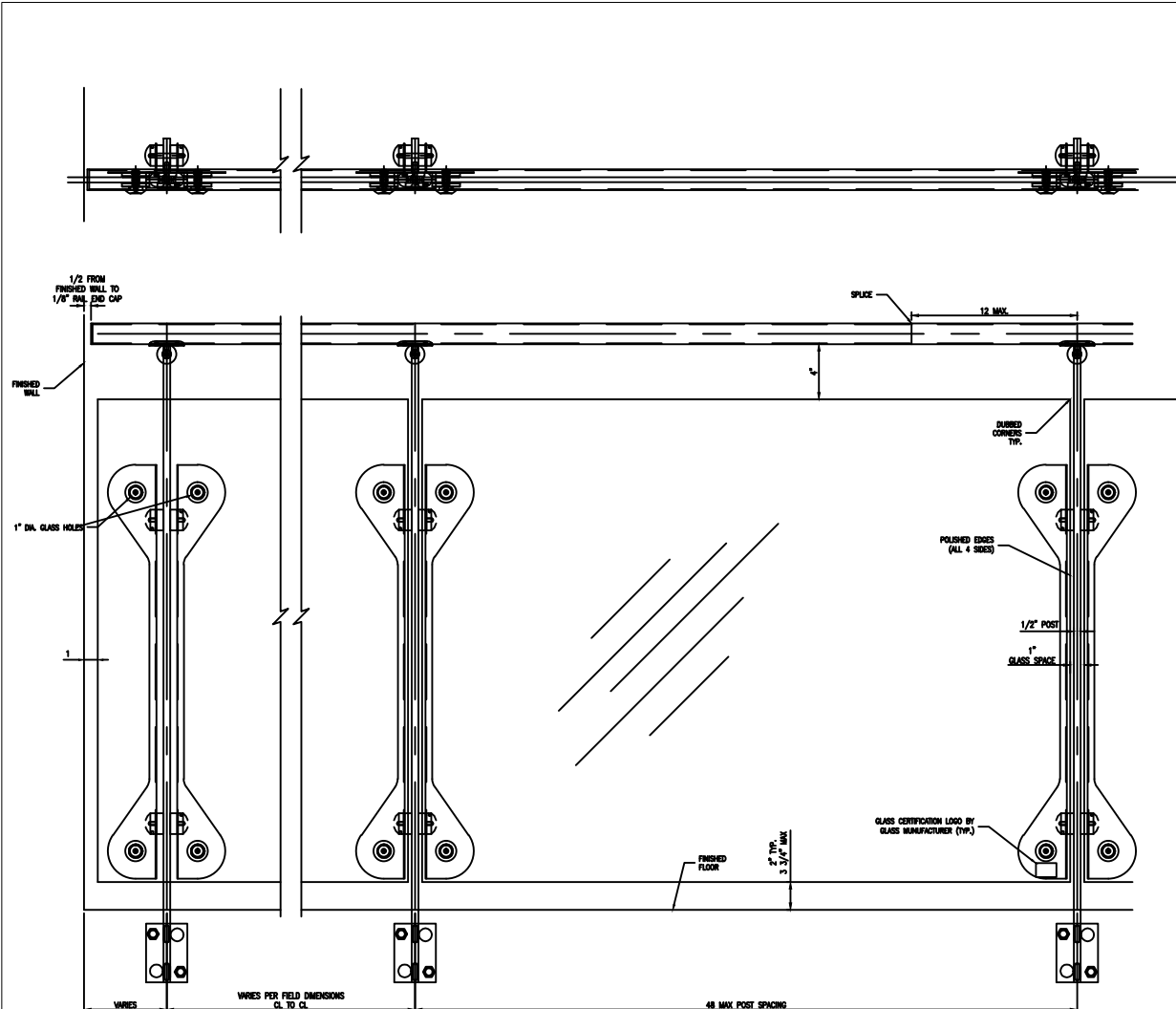
SECTION
SCALE 3/4"=1'-0"



ELEVATION
SCALE 3/4"=1'-0"



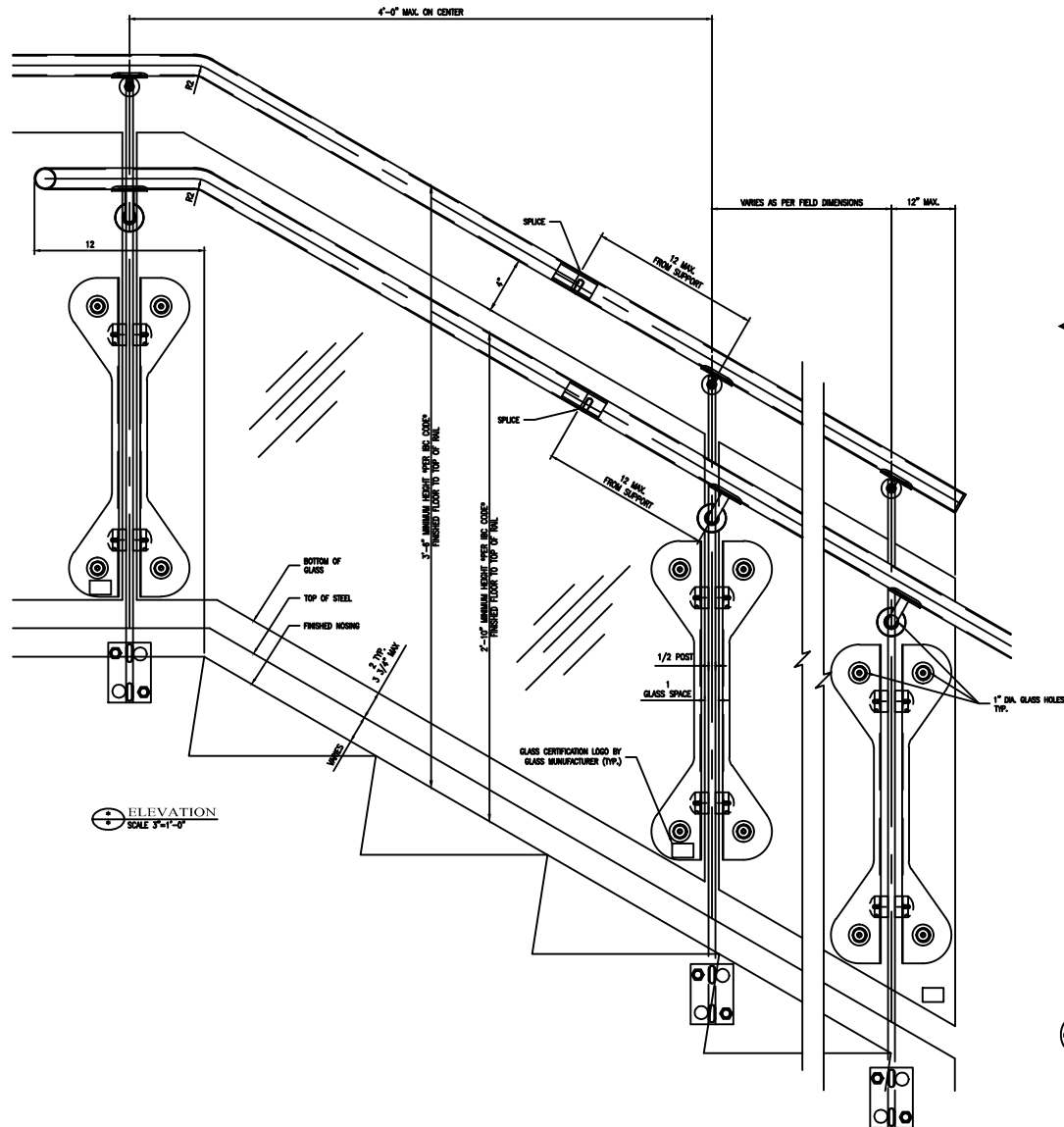
SECTION
SCALE 3/4"=1'-0"



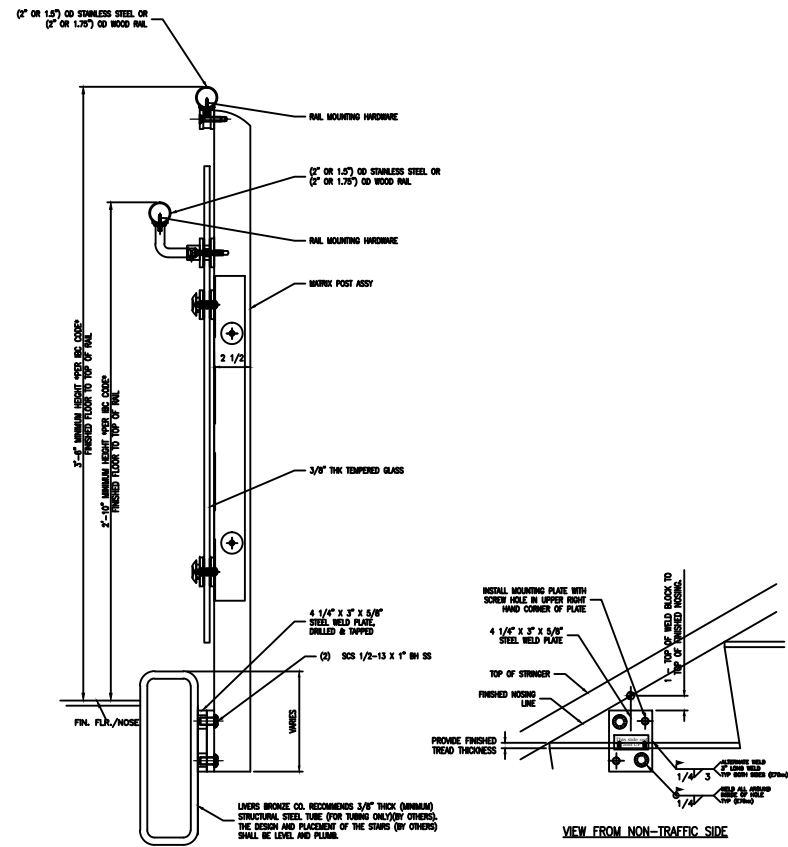
ELEVATION
SCALE 3/4"=1'-0"

SECTION
SCALE 3/4"=1'-0"

VIEW FROM NON-TRAFFIC SIDE

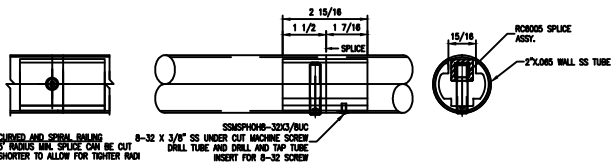


ELEVATION
SCALE 3/4"=1'-0"



SECTION
SCALE 3/4"=1'-0"

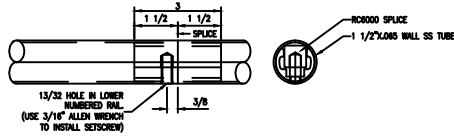
VIEW FROM NON-TRAFFIC SIDE



CHAINED AND SERIAL ENDING
 2 INCHES MIN. SPlice CAN BE CUT
 SHORTER TO ALLOW FOR TIGHTER RACK

SSMSFPH010-32X3/16UC
 8-32 X 3/16" SS UNDER CUT MACHINE SCREW
 DRILL TUBE AND DRILL AND TAP TUBE
 INSERT FOR 8-32 SCREW

FACTORY CUT SPLICE
 SCALE: 6" = 1'-0"



1 3/32 HOLE IN LOWER
 NUMBERED RAIL
 (USE 3/16" ALLEN WRENCH
 TO INSTALL SETSCREW)

FACTORY CUT SPLICE
 SCALE: 6" = 1'-0"