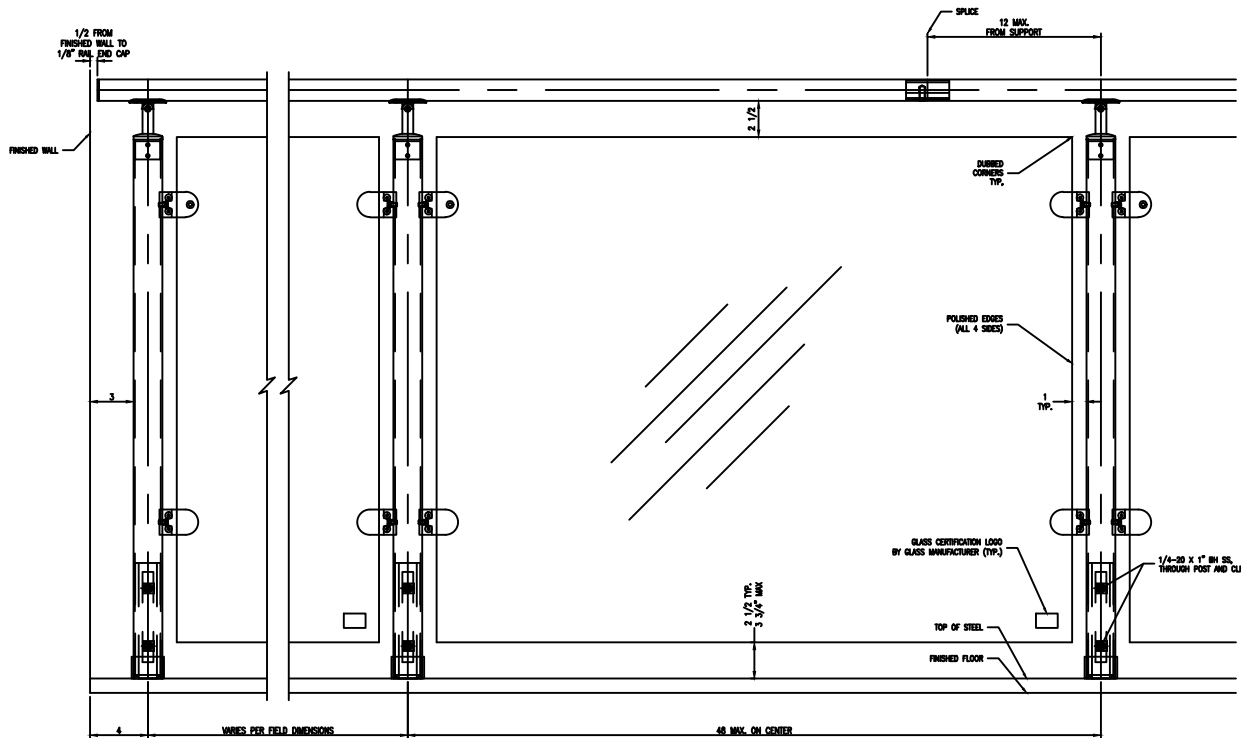
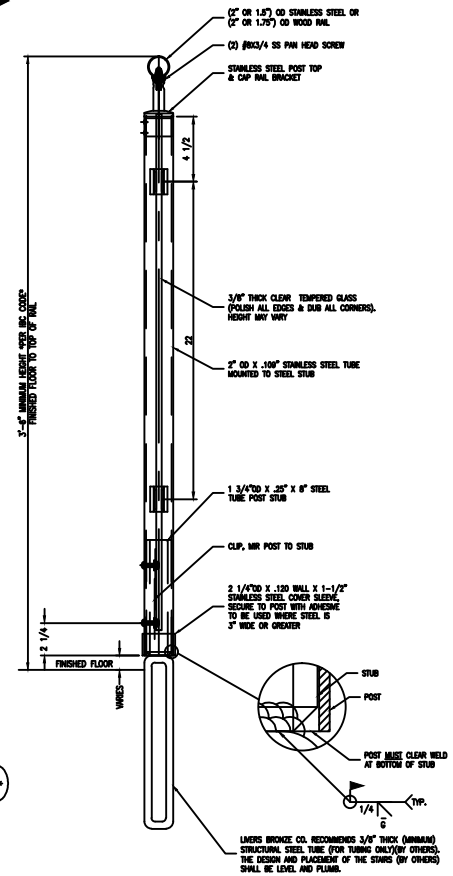


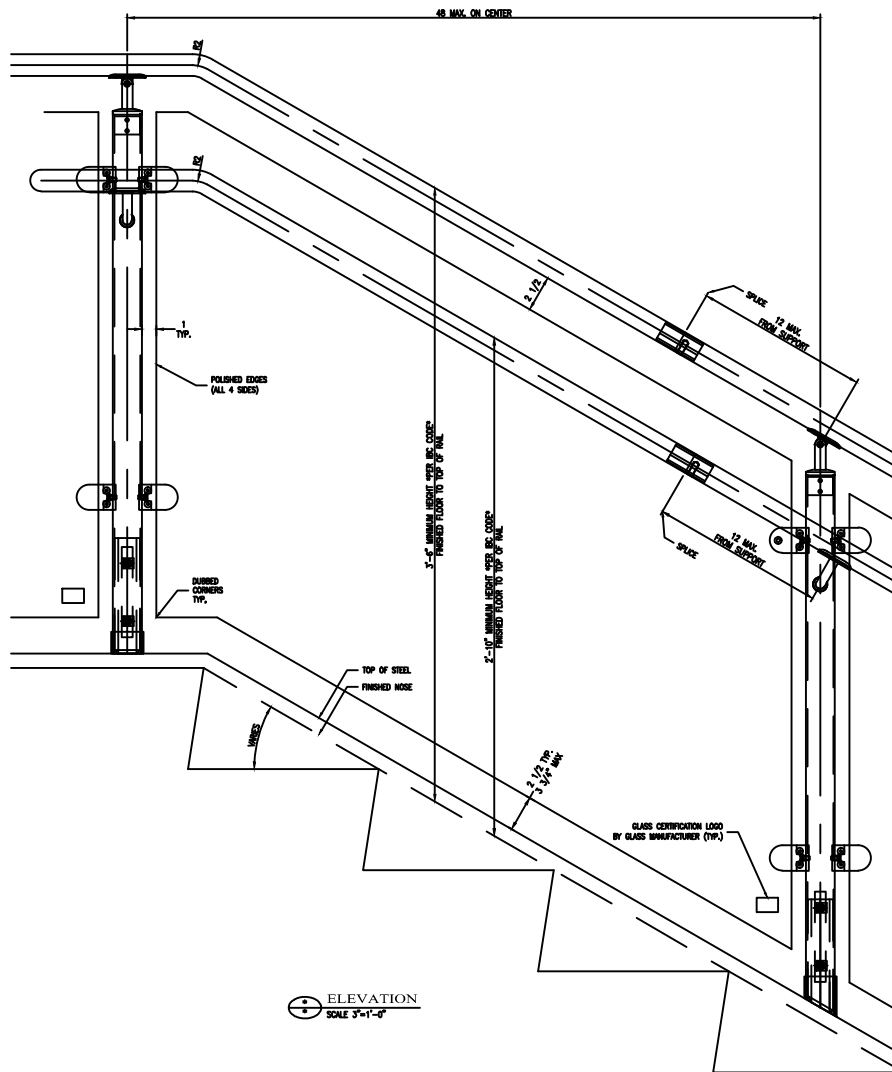
○ TYPICAL 90° CORNER
SCALE 3"=1'-0"



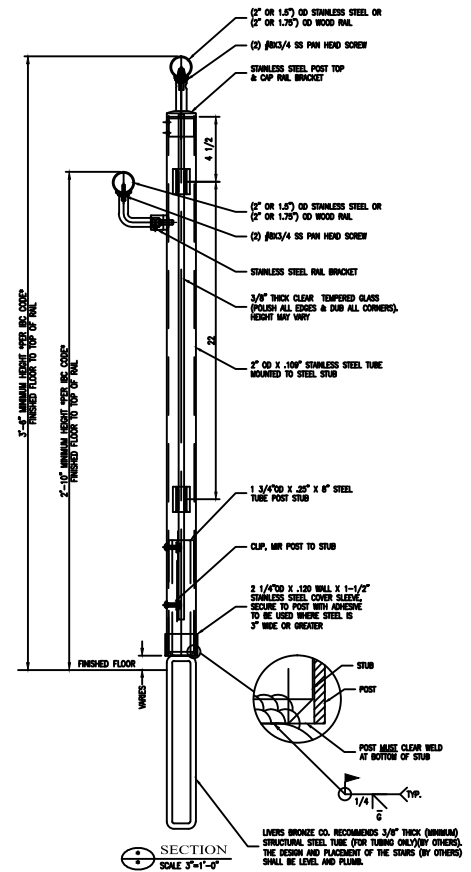
○ ELEVATION
SCALE 3"=1'-0"



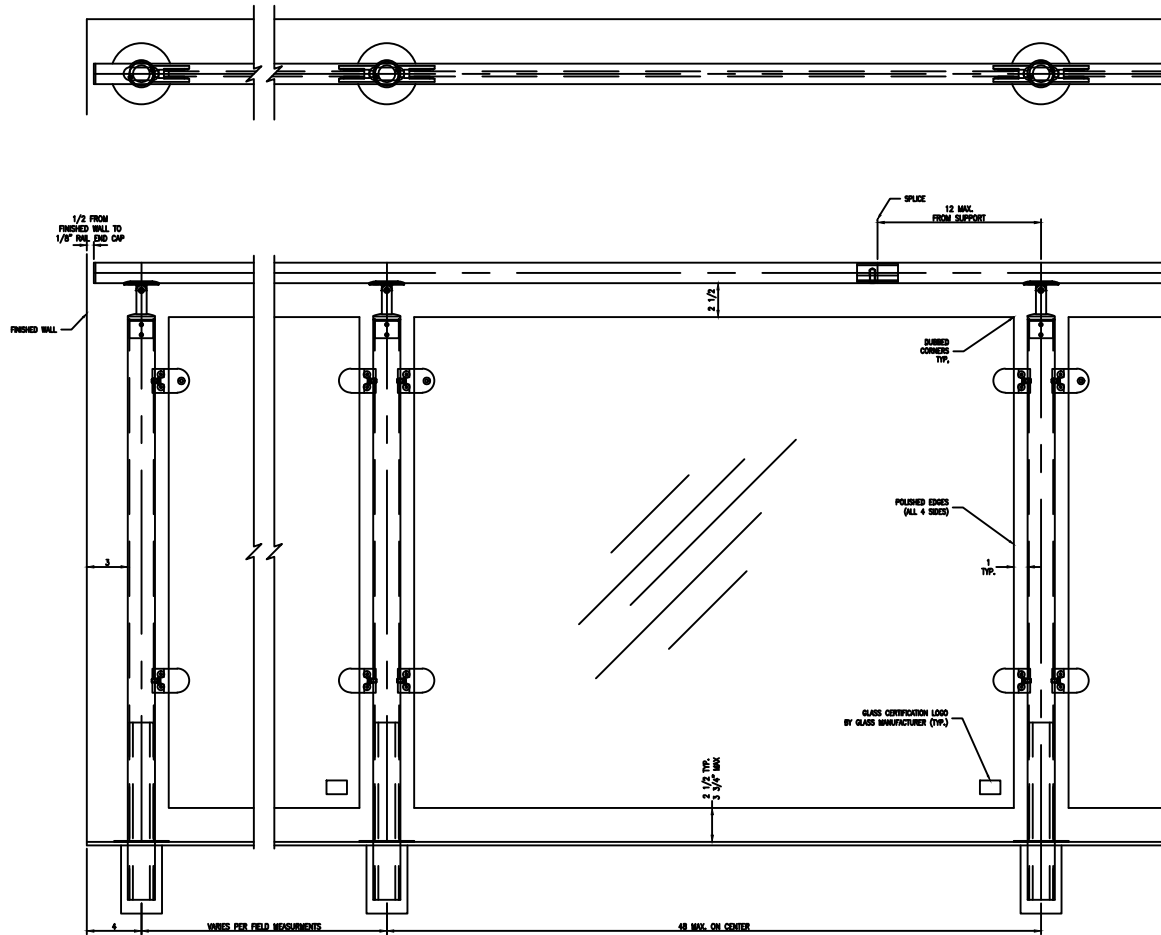
○ SECTION
SCALE 3"=1'-0"



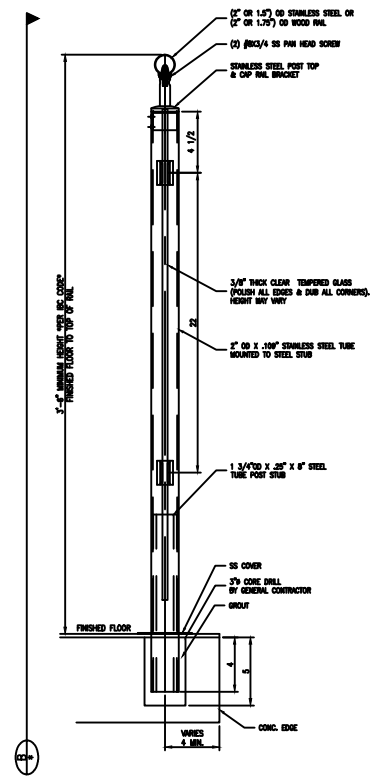
ELEVATION
SCALE 3/8"=1'-0"



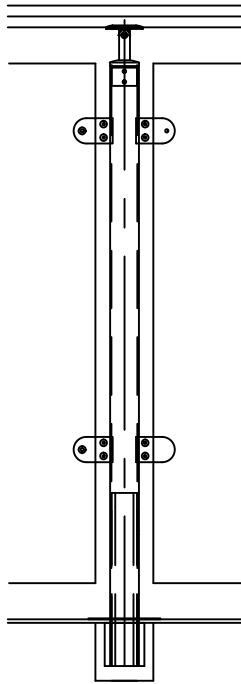
SECTION
SCALE 3/8"=1'-0"



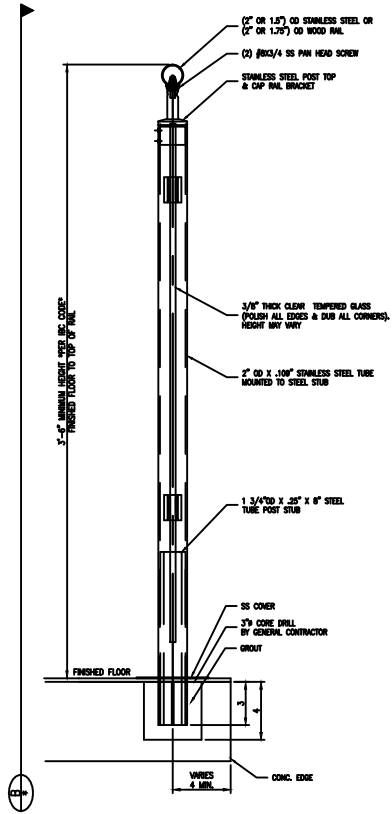
ELEVATION
SCALE 3/4"=1'-0"



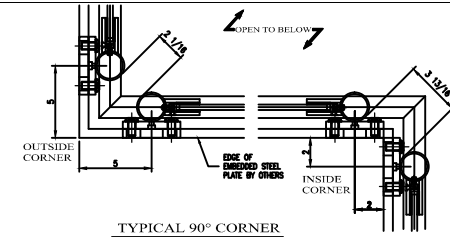
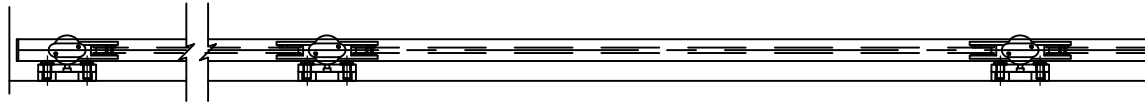
SECTION
SCALE 3/4"=1'-0"



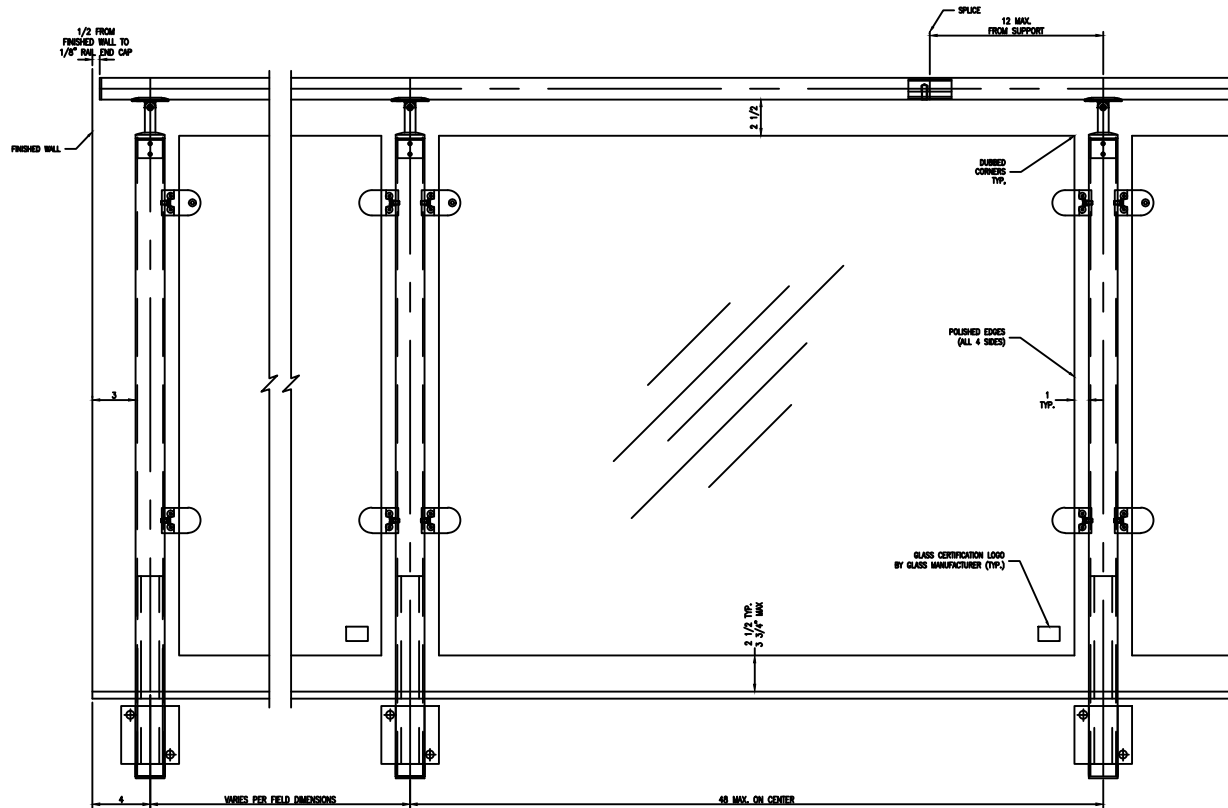
ELEVATION
SCALE 3/4"=1'-0"



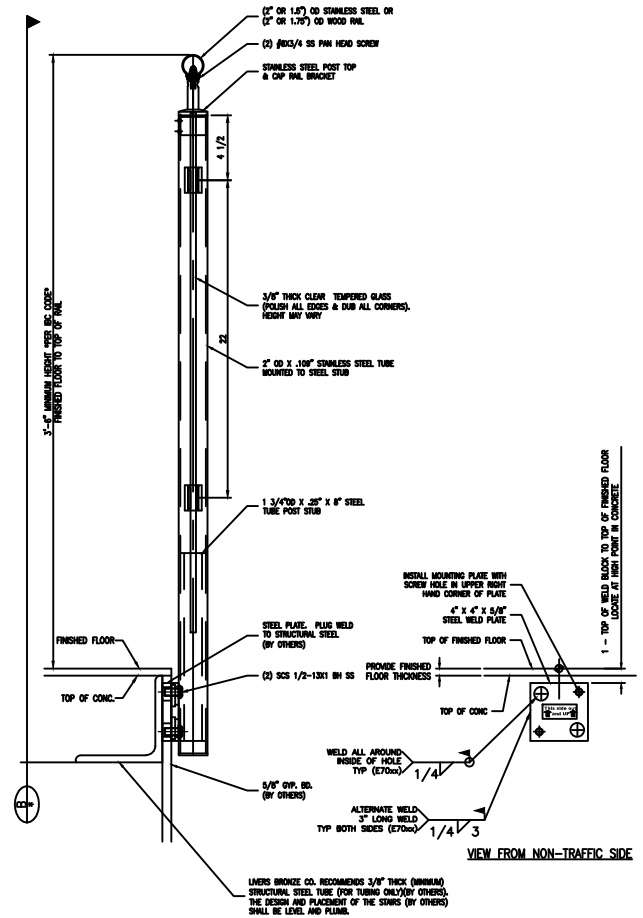
SECTION
SCALE 3/4"=1'-0"



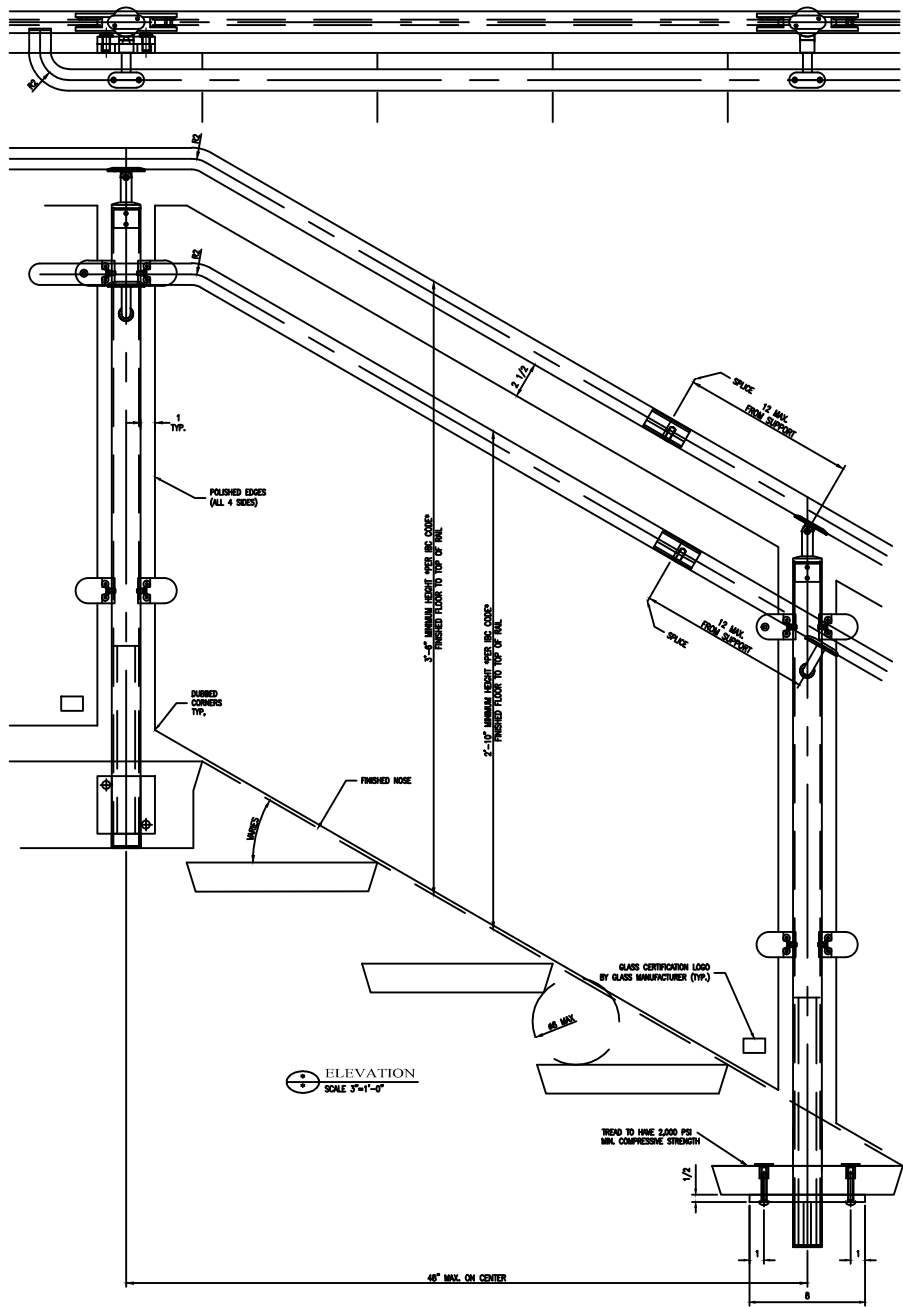
TYPICAL 90° CORNER
SCALE 3/4"=1'-0"



ELEVATION
SCALE 3/4"=1'-0"

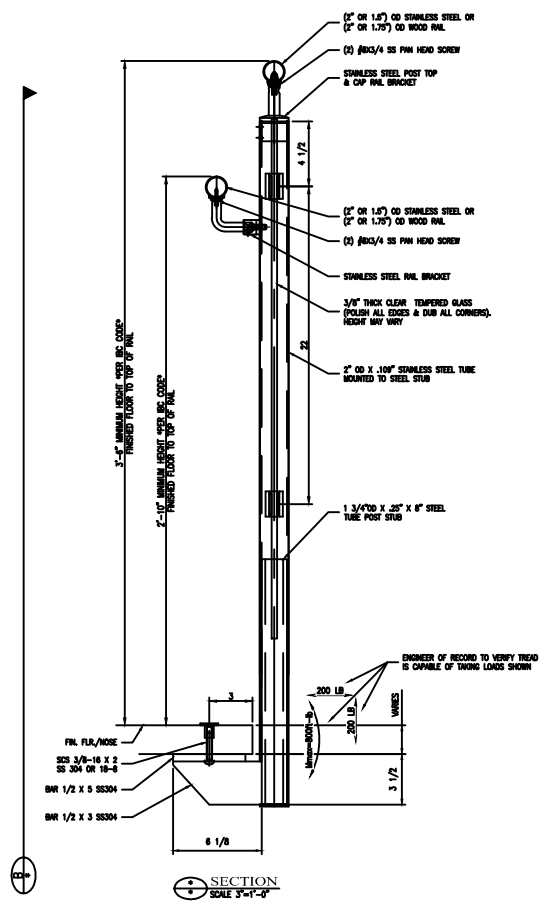


SECTION
SCALE 3/4"=1'-0"

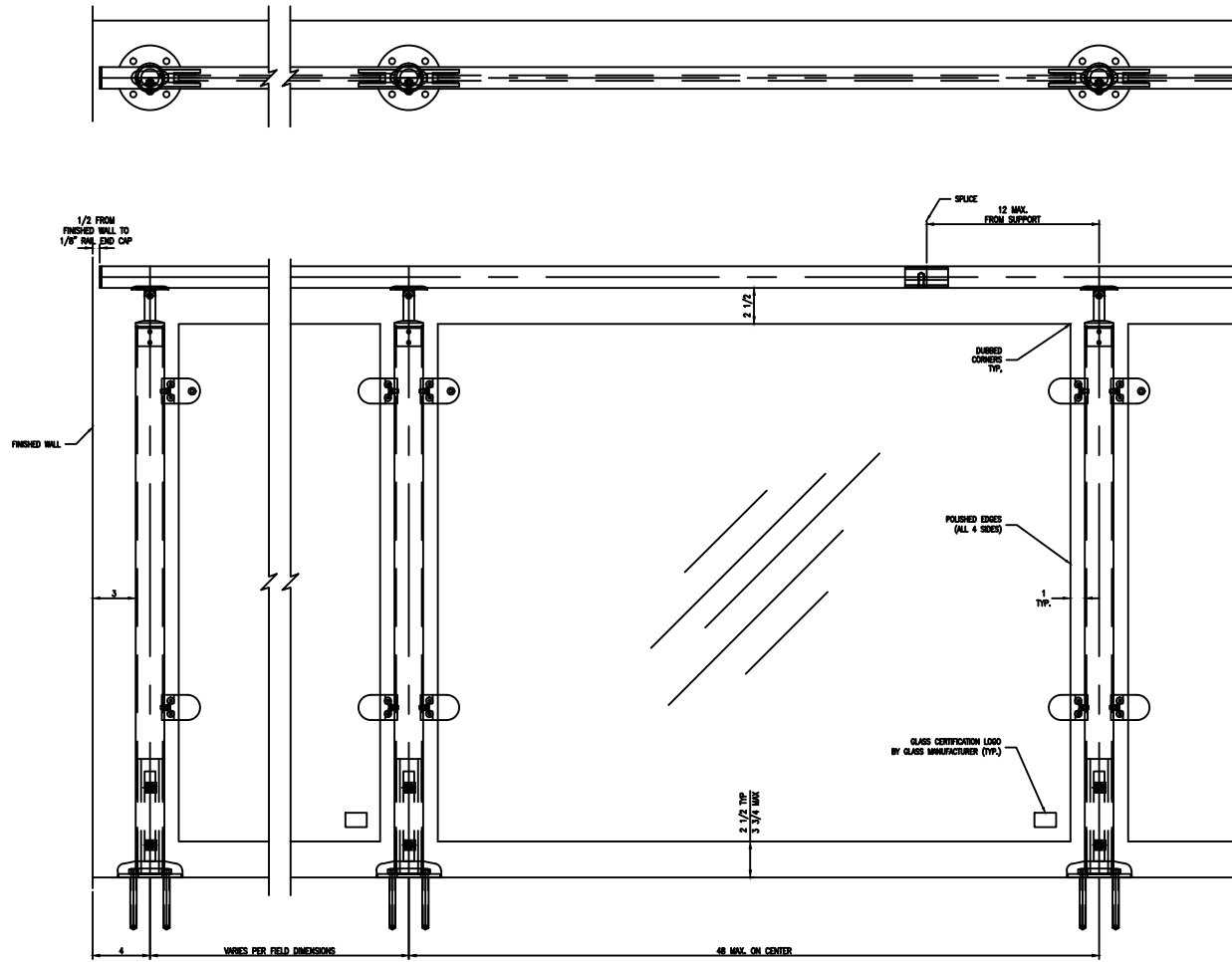


ELEVATION
SCALE 3/4"=1'-0"

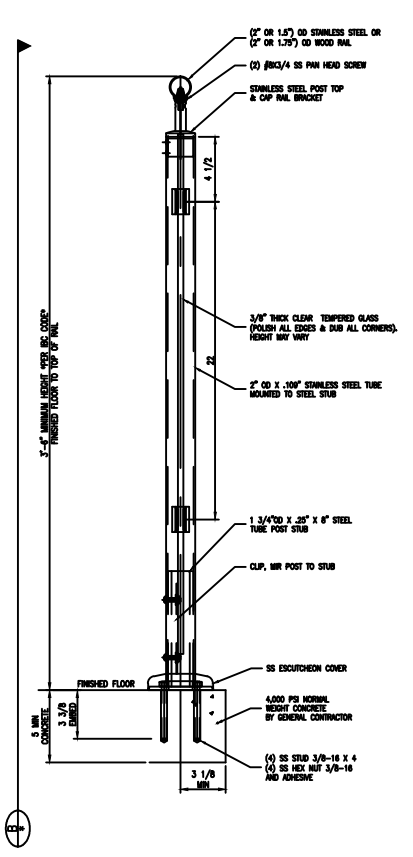
48" MAX. ON CENTER



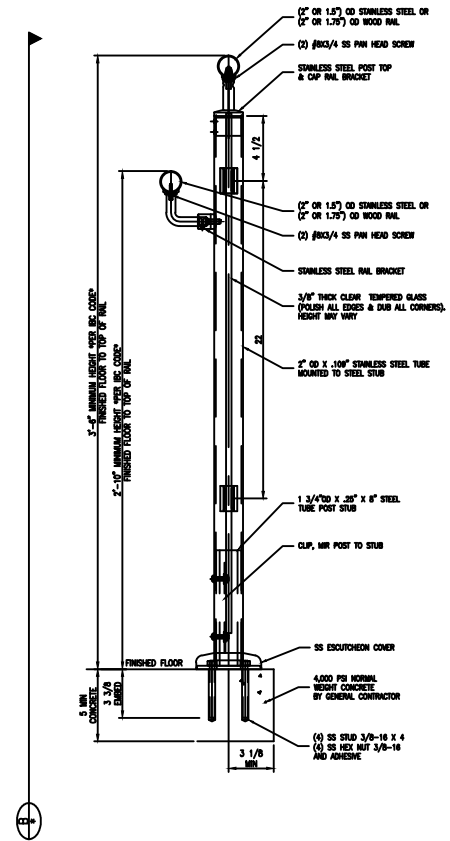
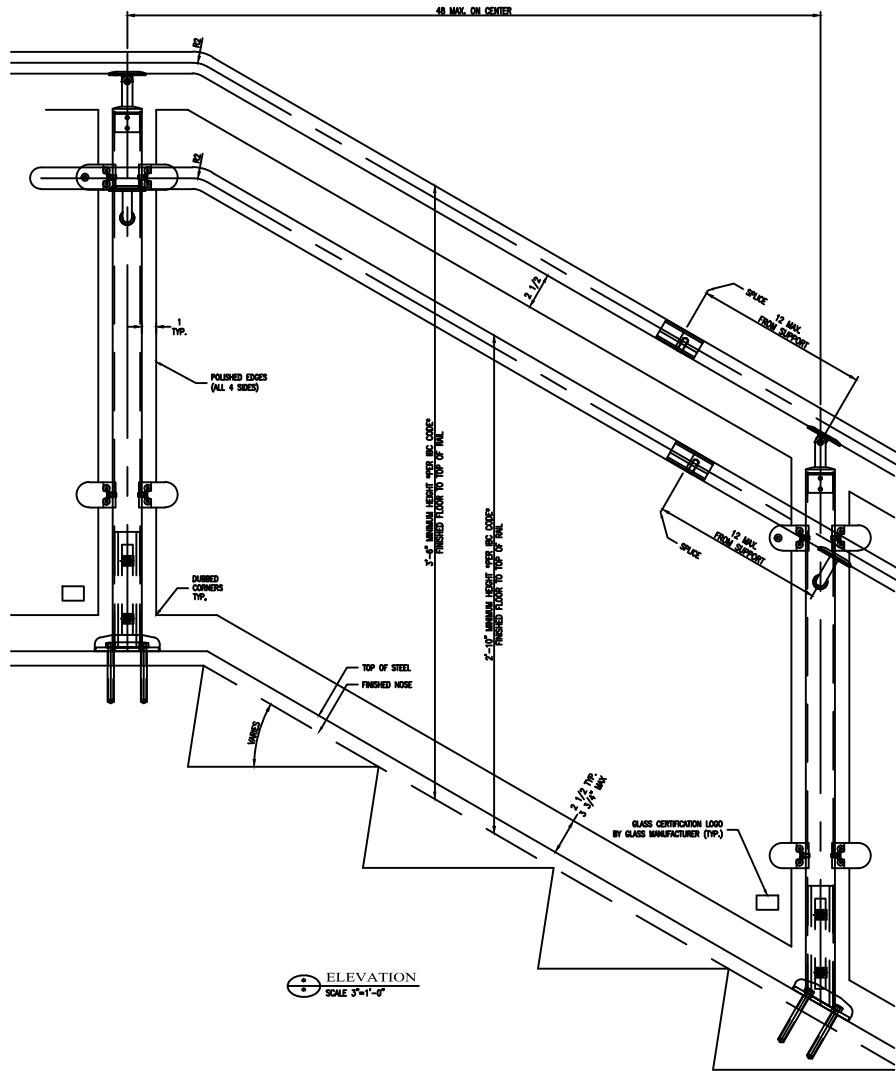
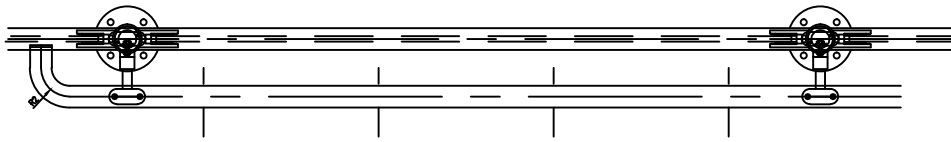
SECTION
SCALE 3/4"=1'-0"



ELEVATION
SCALE 3/4"=1'-0"



SECTION
SCALE 3/4"=1'-0"



RB1051-10 POST BRKT DETAIL

