



# SMOKE BAFFLE SYSTEM

# CONTENT

<b>PRODUCT DESCRIPTION .....</b>	<b>4</b>
<b>3D DRAWINGS AND ILLUSTRATIONS .....</b>	<b>6</b>
• <b>MOUNTED .....</b>	<b>7</b>



<b>INSTALLATION</b> .....	<b>8</b>
• <b>EXTRUSION INSTALLATION</b> .....	<b>9</b>
• <b>GLASS INSTALLATION</b> .....	<b>10</b>

# CONTENT

# PRODUCT DESCRIPTION

The Livers Bronze SMOKE BAFFLE system combines functionality with design versatility, offering choices in powder coated finishes and glass types/thicknesses to meet your specific project needs. This system is designed to effectively control smoke movement in case of a fire, while also allowing for aesthetic customization. You can select from a variety of durable, high-quality painted finishes to match your design palette, and choose glass options that range in type and thickness to suit your structural and visual requirements. With the SMOKE BAFFLE system, you achieve both safety and style in one cohesive solution.



CONTENT

4



[www.liversbronze.com](http://www.liversbronze.com)



[Railings@LiversBronze.com](mailto:Railings@LiversBronze.com)

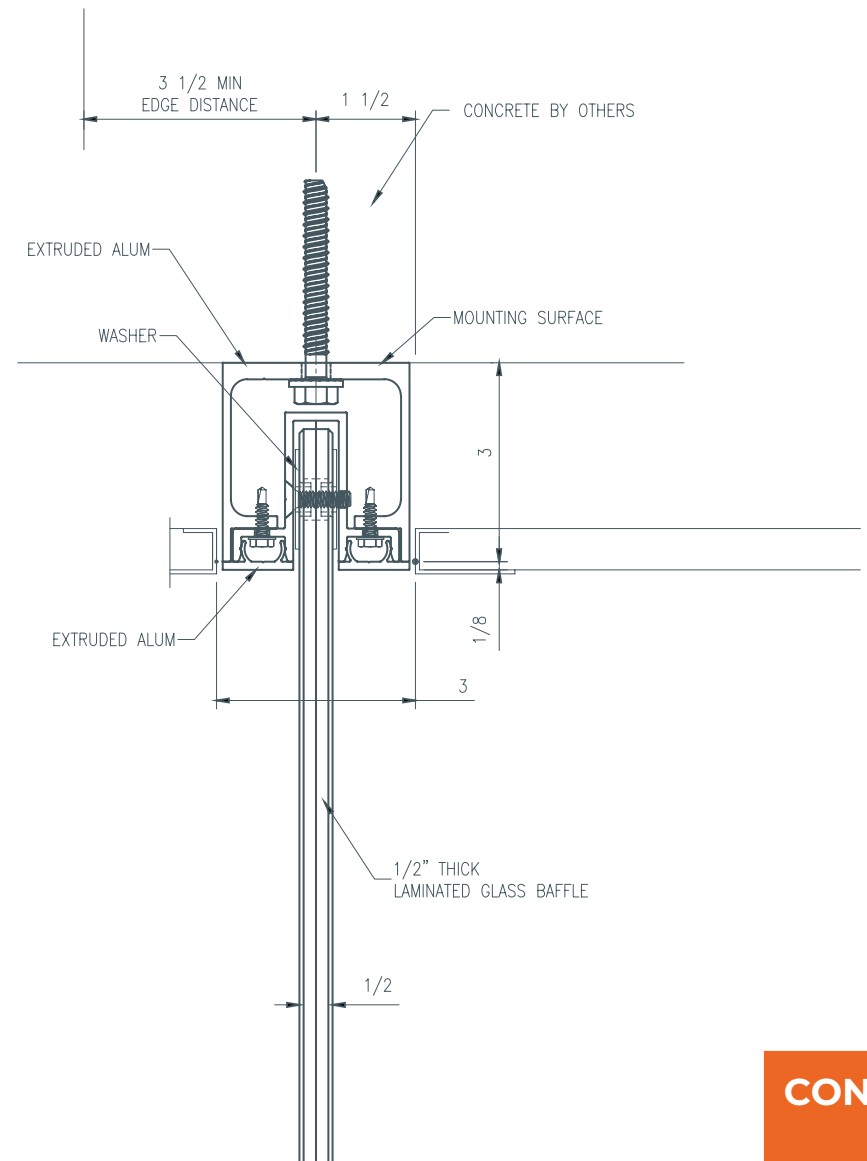
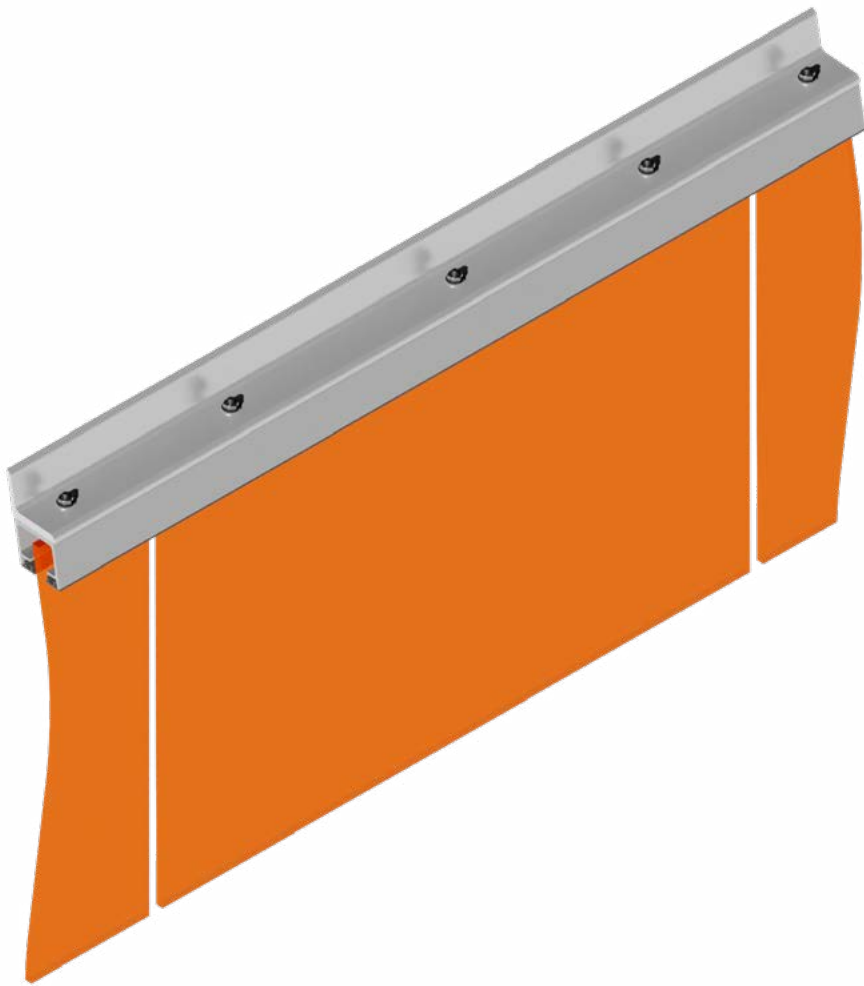


816-300-2828



# PRODUCT DESCRIPTION

## BRACKETS



[www.liversbronze.com](http://www.liversbronze.com)



[Railings@LiversBronze.com](mailto:Railings@LiversBronze.com)



816-300-2828

CONTENT

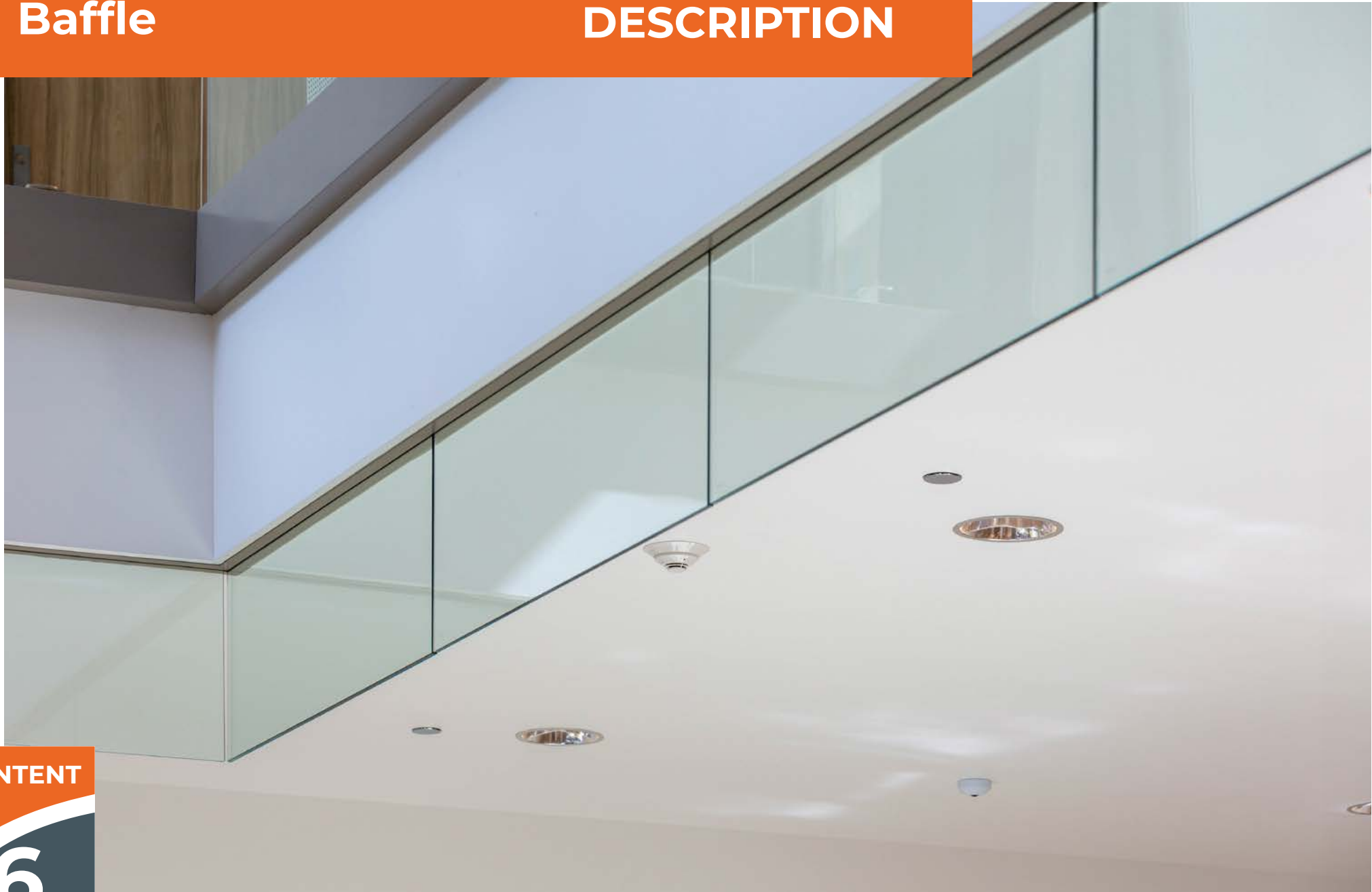
5



# Smoke Baffle

# PRODUCT DESCRIPTION

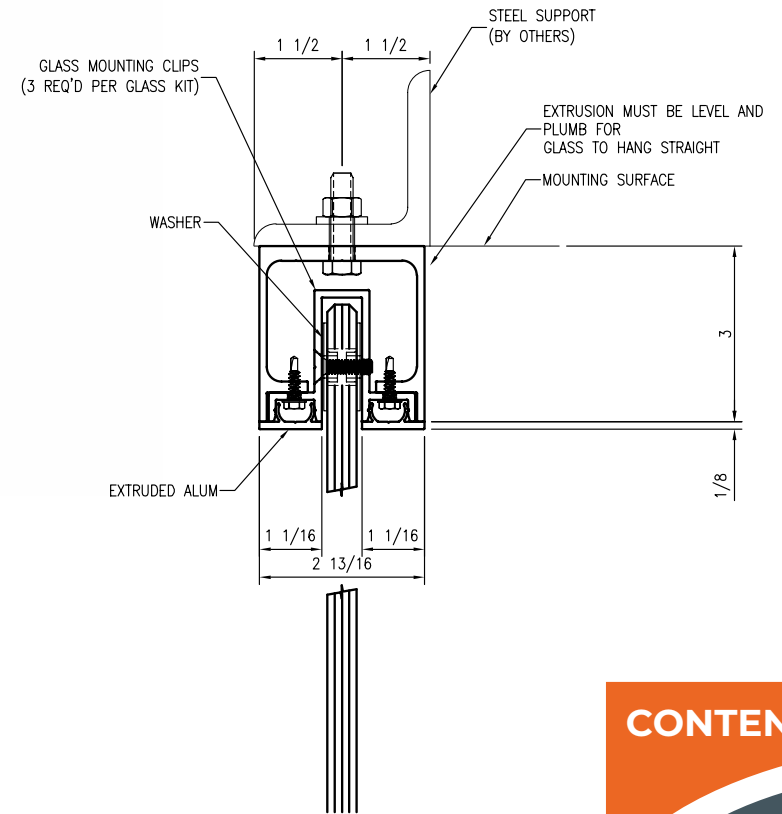
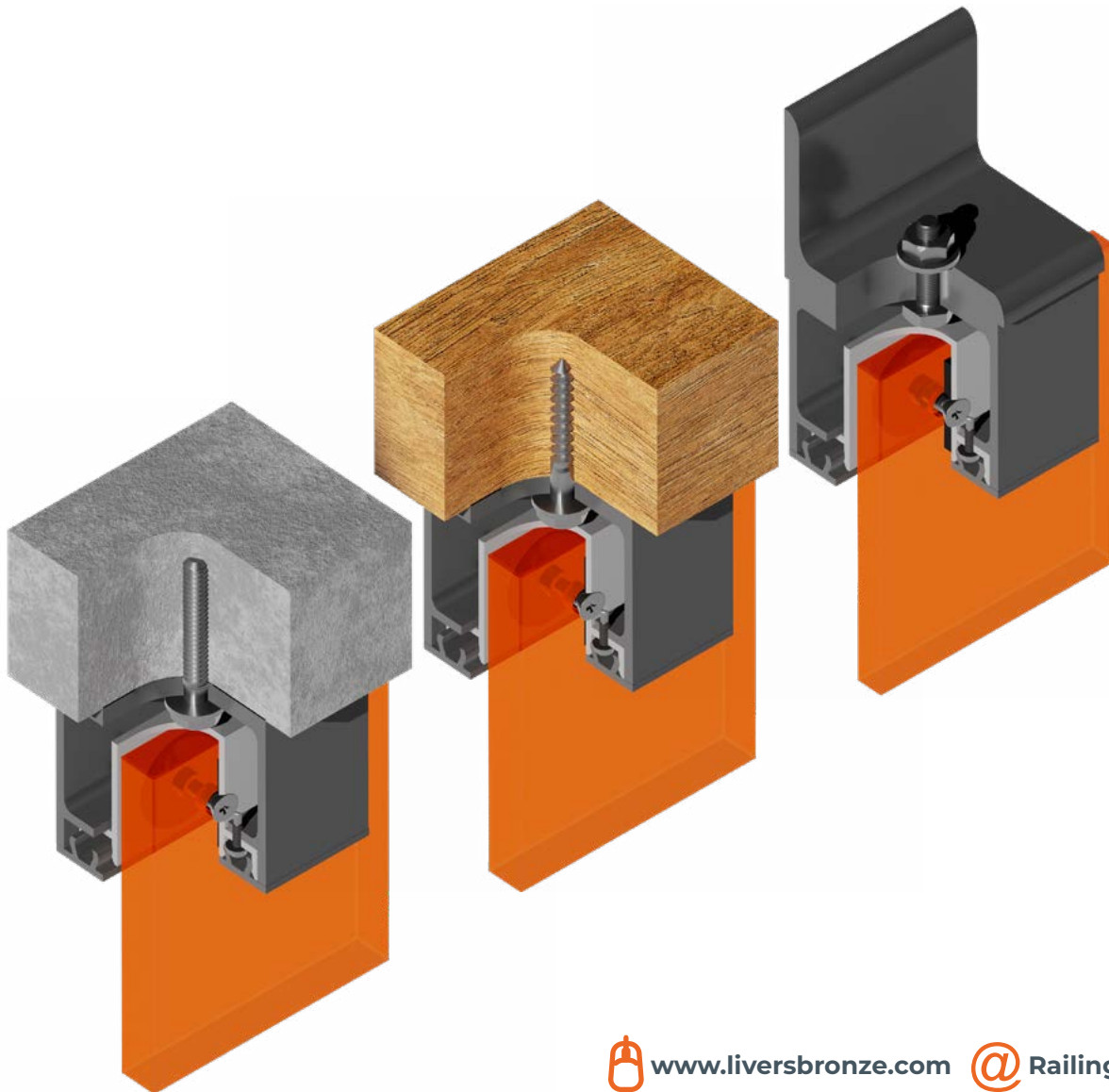
Morehead, KY



CONTENT

6

**TO CONCRETE  
TO WOOD  
TO STEEL**



# Smoke Baffle

# INSTALLATION

Durham, NC



CONTENT

8

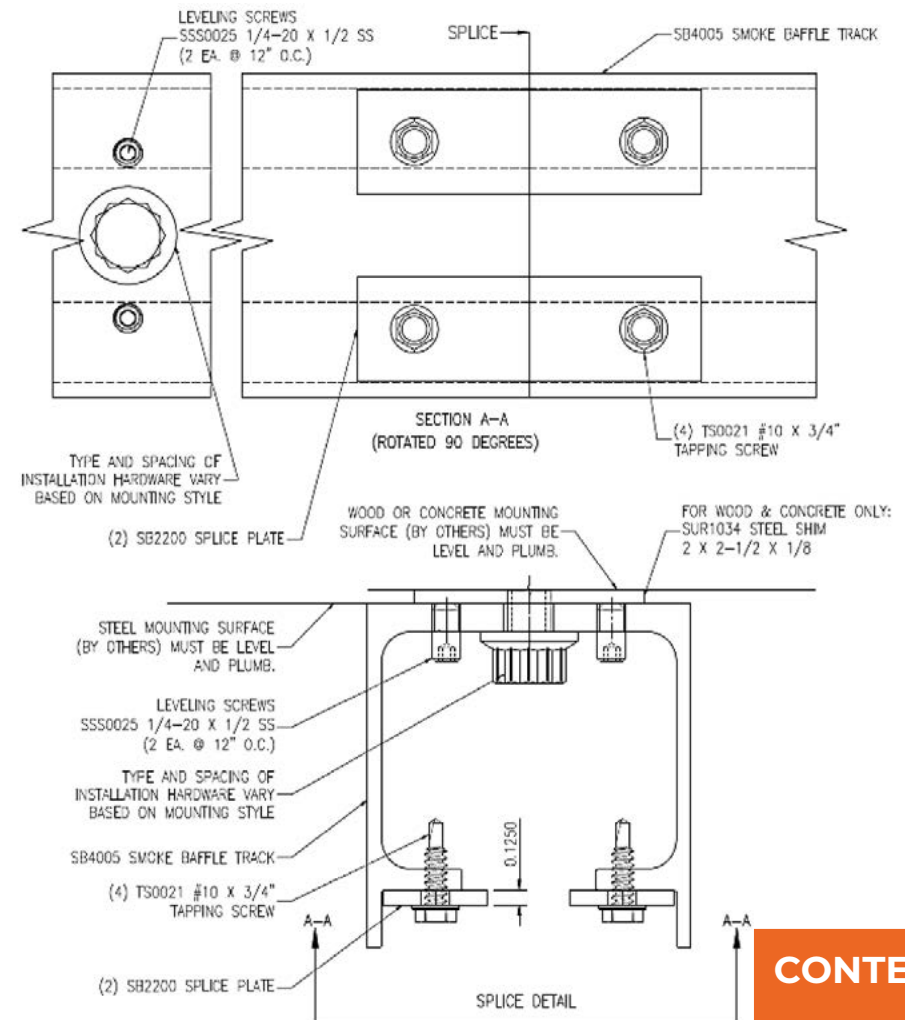


## 1. Ensure Level and Plumb Installation:

- The aluminum SB4005 smoke baffle track must be level and plumb for proper glass hanging.
- Use the leveling screws provided at 12" intervals.
- If additional shimming is needed, shim the weld plates, bent angle, or wood blocking as required. (Shims are not included).

## 2. Field Cutting and Installation:

- Cut and install the SB4005 smoke baffle track using the supplied mounting hardware.
- At splice locations, use the SB2200 splice plates and TS0021 tapping screws to connect and align the sections of the smoke baffle track. See the attached drawing SB4005-Installation for splice details.
- Loosely secure the smoke baffle track with mounting hardware. When installing on wood or concrete, use SUR1034 plates between the mounting surface and the smoke baffle track.
- Adjust leveling screws to ensure the track is level and plumb.
- Fully secure the smoke baffle track, maintaining its level and plumb position.

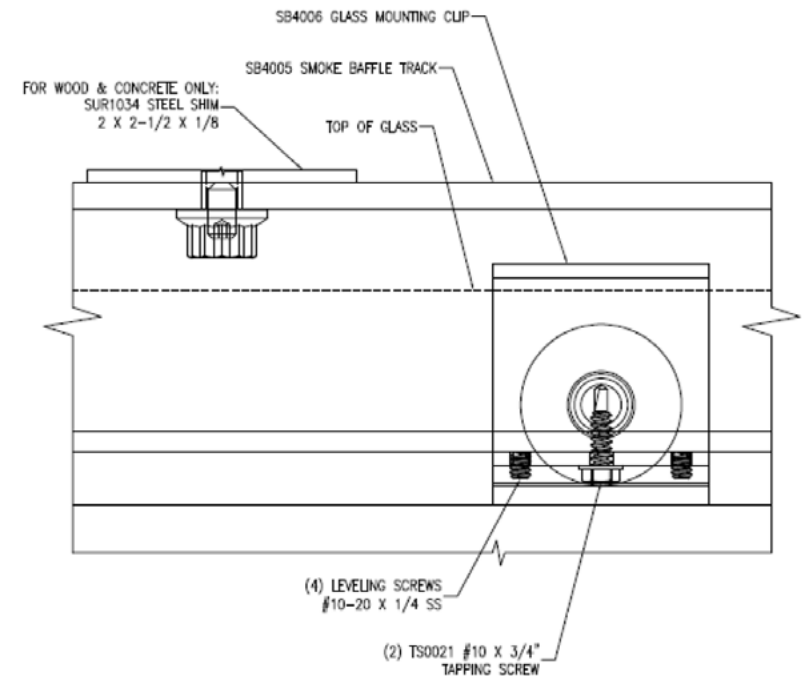


## 1. Prepare for Installation:

- Refer to section/elevation drawings to determine the number of SB4006 glass mounting clips needed for each glass panel and SB4005 extrusion piece.
- Uncrate the glass panels and consult the final set of drawings for details.
- Secure SB4006 glass mounting clips to the glass using SCS0157 1/4-20 X 1 STL ZP FH screws and two washers. Set the glass panels aside.

## 2. Install Glass Panels:

- See the attached drawing SB3000Series-Installation for details.
- Each clip requires two TS0021 #10 X 3/4" tapping screws, one on each side of the glass panel.
- Insert the glass panels into the extrusion until the SB4006 glass mounting clip is seated within the SB4005 smoke baffle track.
- Hand-tighten all hardware to secure the glass in place.

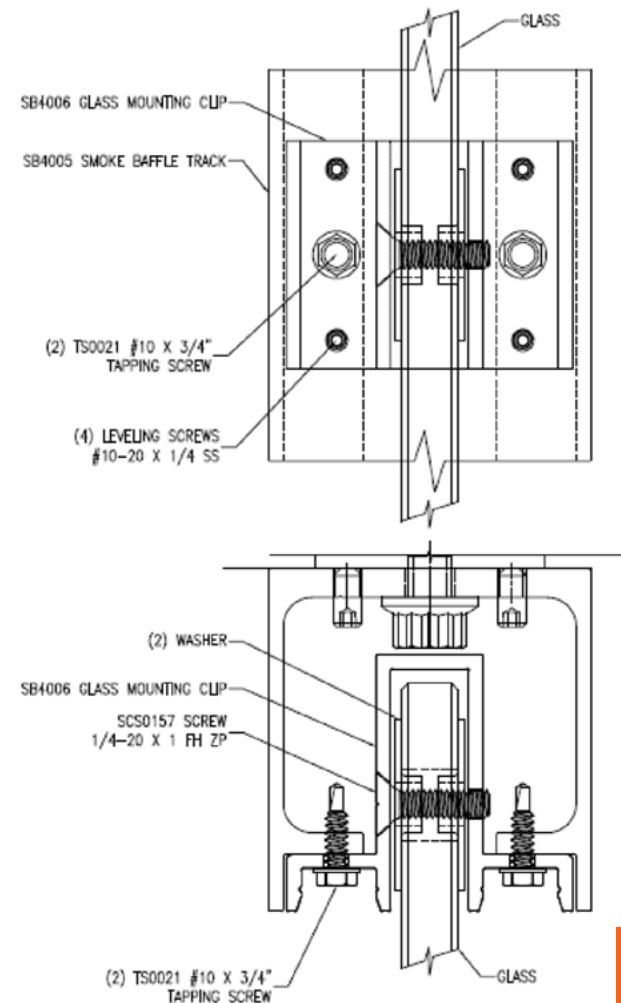


### 3. Install Snap Channel (if required):

- Recommended: If possible, allow time for other trades to complete the surrounding wall and ceiling finishes and make any required adjustments to leveling.
- Use a small rubber mallet to install the SB1002 snap channel.
- Tilt the shorter inside edge of the snap channel towards the glass to engage the glass side first, then lift the channel to snap it into the outside edges of the extrusion.

### 4. Completion:

- Ensure all components are securely installed and aligned.
- The installation is now complete.





## **SMOKE BAFFLE SYSTEM**

### **Livers Bronze LLC**

4621 East 75th Terrace  
Kansas City, MO 64132

**Phone:** 816-300-2828

**[www.liversbronze.com](http://www.liversbronze.com)**

